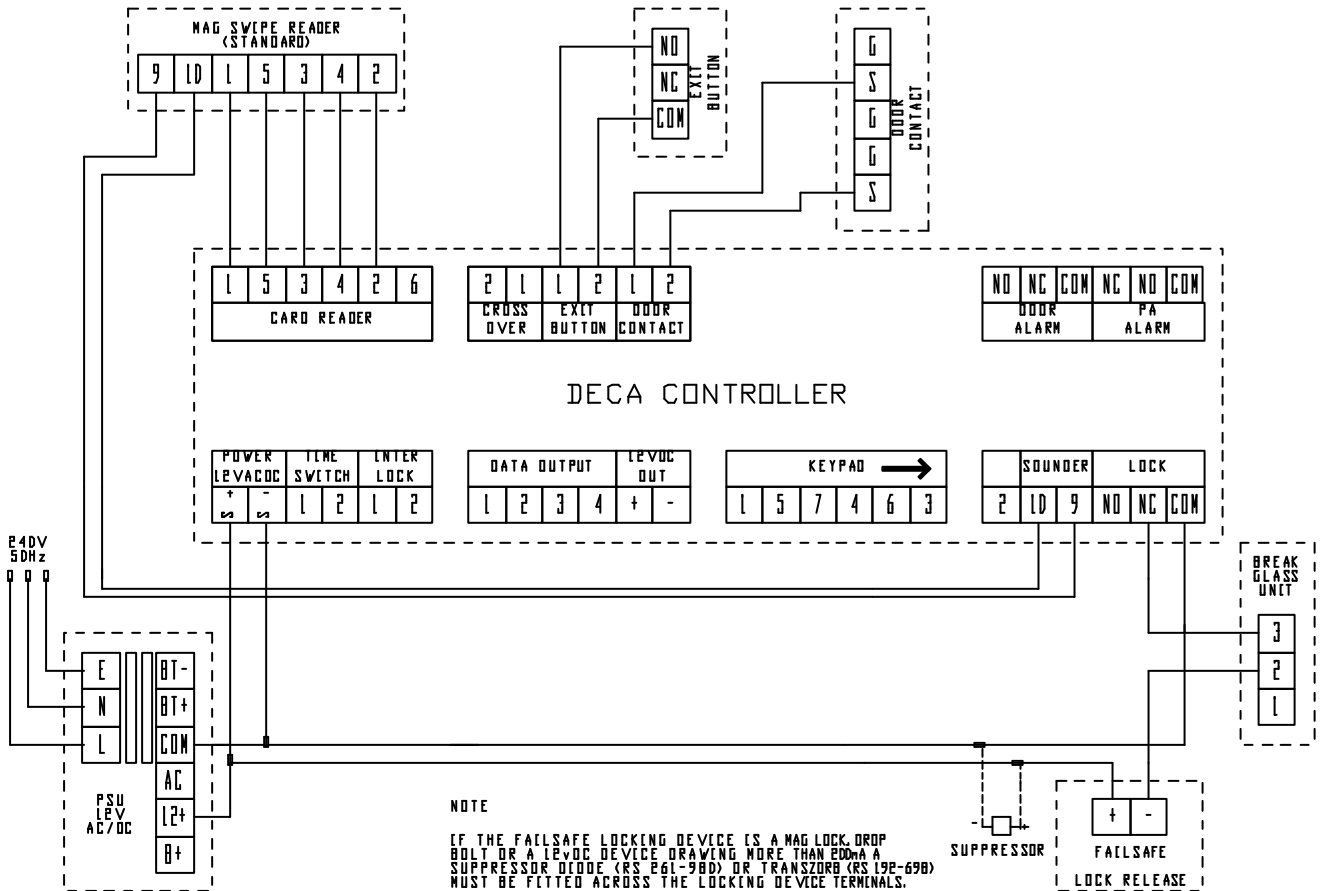


(L.1) LEVAC PSU, FAILSAFE (F/LOCKED) LEV REL. S/READER, E/BUTTON & D/CONTACT.



NOTE

IF THE FAILSAFE LOCKING DEVICE IS A MAG LOCK, DROP BOLT OR A LEVDC DEVICE DRAWING MORE THAN 200mA A SUPPRESSOR DIODE (RS P61-98D) OR TRANSORB (RS 192-69B) MUST BE FITTED ACROSS THE LOCKING DEVICE TERMINALS.

(L.2) LEVAC/DC PSU, FAILSAFE (F/UNLOCKED) LEV REL. S/READER, E/BUTTON, D/CONTACT & B/GLASS.

DATE 22-1-1999
 ISSUE DDL
 DRAWN KGJ

DECA MAGNETIC SWIPE CARD
 ACCESS CONTROL SYSTEM
 DECA MAGNETIC SWIPE CARD ENTRY SYSTEM
 (L.1) LEVAC PSU, FAILSAFE (F/LOCKED) LEV REL. S/READER, E/BUTTON & D/CONTACT.
 (L.2) LEVAC/DC PSU, F/SAFE (F/UN/L) LEV REL. S/READER, E/BUTTON, D/CONTACT & B/GLASS.

DRAWING NUMBER
 DECA-MS
 002_008