

Dip-Switch Settings

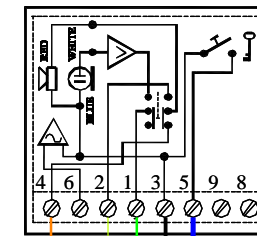
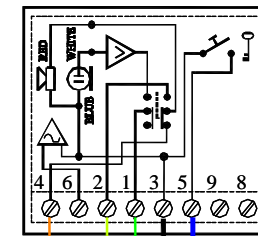
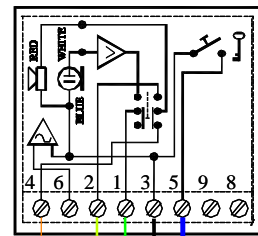
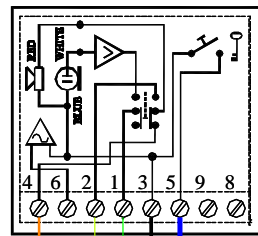
Please note that shaded area represents dip-switch position.

(PHONE 1)
Art.3111

(PHONE 2)
Art.3111

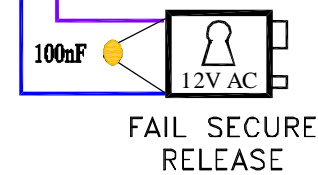
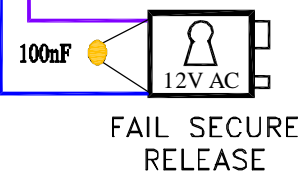
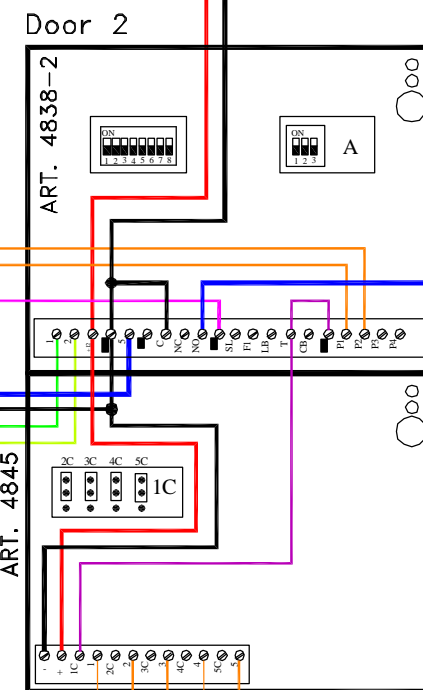
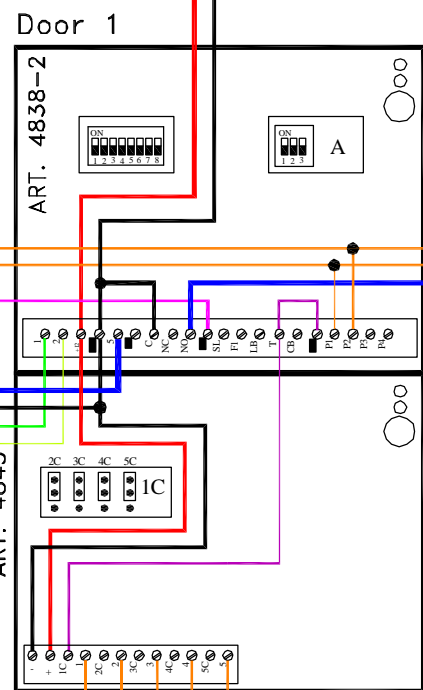
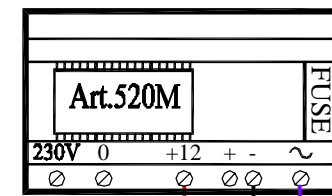
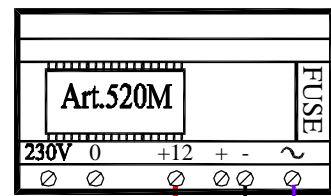
(PHONE 3)
Art.3111

(PHONE 4)
Art.3111



TO NEXT HANDSETS.

TO NEXT HANDSETS.



SWITCHES/STATUS	CALL MELODY (1,2)	NUMBER OF RINGS (3,4)	CONVERSATION TIME (5,6)	DOOR OPEN TIME (7,8)
OFF OFF	MELODY 1	2	30s	30s
OFF ON	MELODY 2	4	60s	60s
ON OFF	MELODY 3	6	90s	90s
ON ON	MELODY 4	8	120s	120s

SWITCH	STATUS	STATUS
1	OFF	REASSURANCE TONE DISABLED
	ON	REASSURANCE TONE ENABLED (A CALL TONE WILL BE HEARD AT THE DOOR)
2	OFF	4+1 SYSTEM
	ON	5+1 SYSTEM (WITH PRIVACY OF SPEECH)
3	OFF	NOT USED
	ON	

VIDEX SECURITY LTD

TECHNICAL HELP: TEL: 0191 224 3174
FAX: 0191 224 4938
EMAIL: tech@videx-security.com

DATE: 14/10/13 INITIAL: JC REF: A48382D7B3111

DESCRIPTION: 2 ENTRANCE 7 WAY 4000 SERIES AUDIO