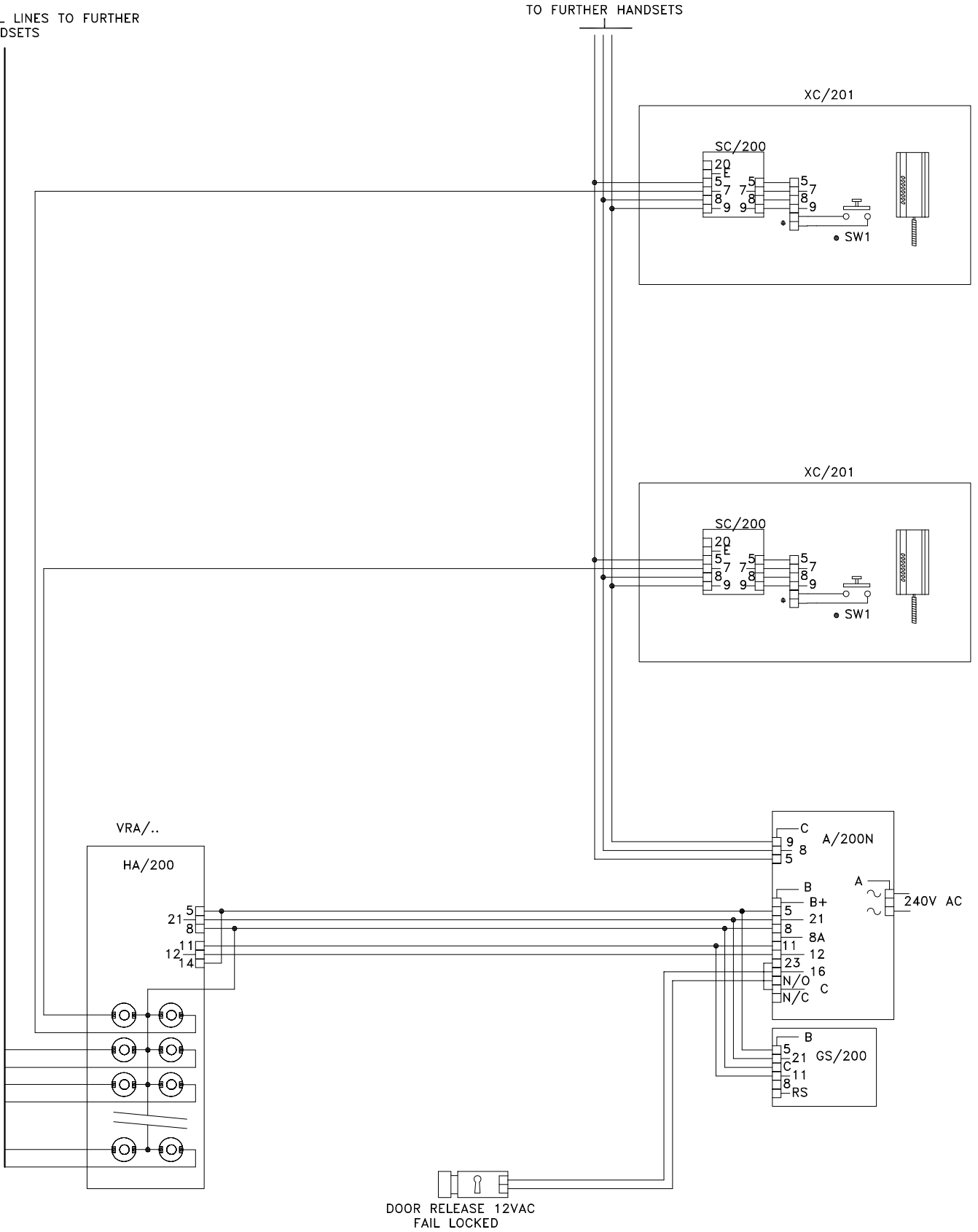


NOTE:
THIS DRAWING INDICATES AND ASSUMES THE USE OF
A MINIMUM OF 0.5MM CSA PER CORE.

CALL LINES TO FURTHER
HANDSETS

TO FURTHER HANDSETS



BPT (UK) LTD.
HERTS. ENGLAND

PREPARED FOR
INSTALLER INFORMATION

DATE: 28/02/11

DRAWN:RC

REVISED:

DRAWING TITLE:

DRAWING No: E-NV1XNLGS

TECHNICAL SUPPORT: TEL: 01442 230800

EMAIL: technical@bpt.co.uk