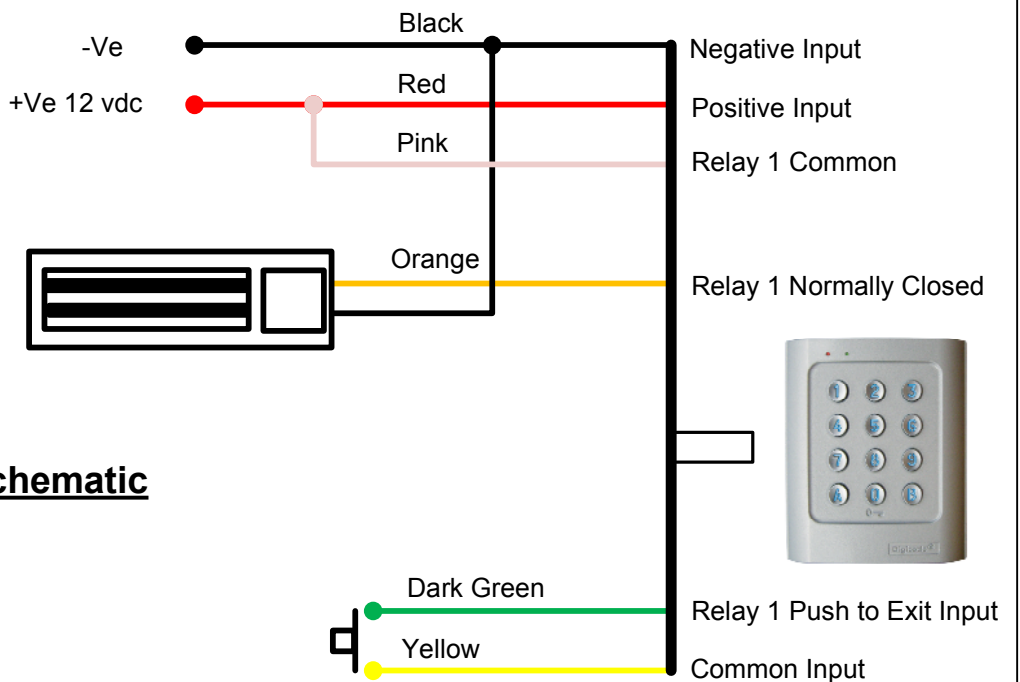


Fail Secure (Locked) Schematic



Fail Safe (Unlocked) Schematic

Basic Programming: Enter the default programming(master) code of 12345 twice, the red LED lights. Set code length by pressing A4 followed by 4,5 or 6 depending on length required. Then press A5 to set new Master code, enter the new Master code according to code length. The green LED will light on both to confirm acceptance. To add 1 user (access) code enter 00 followed by the required user code at the preset length. To exit programming enter B. To delete any codes enter the master code twice followed by the code location ie 11, then enter 0000, 00000 or 000000 depending on code length, a new code can now be entered by first selecting the location then entering the new code.