

Elvox 620R/1



Terminals

B	
1	Speech In (Speaker)
2	Speech Out (Mic)
3	Common (link to 4/5)
6	Call
7	Lock

IMPORTANT NOTE :

1) Before replacing the handset make note of the wires to each terminal on the existing unit (an easy way is to cut each core off leaving a piece of the insulation in place with colour visible) twist unused cores together (so you know they are not used, do not short them out).

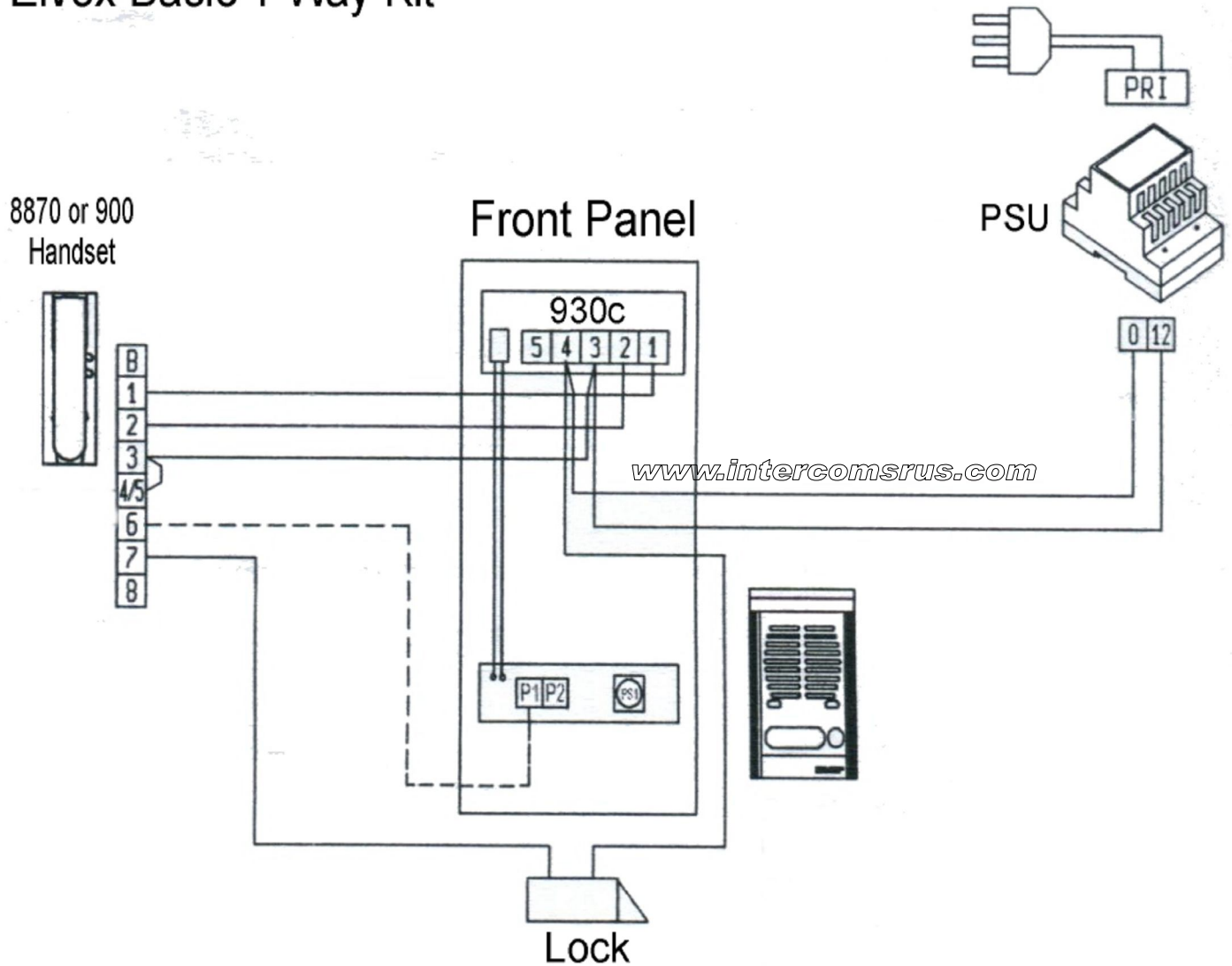
2) Some older systems will have cable with one coloured core and a solid white core in this case mark each core with a marker or tape.

3) Some systems may have loop on wiring, you will have 2 cables into your handset (make sure any joins remain, as these may be serving other flats on the system).

WIRING DIAGRAM

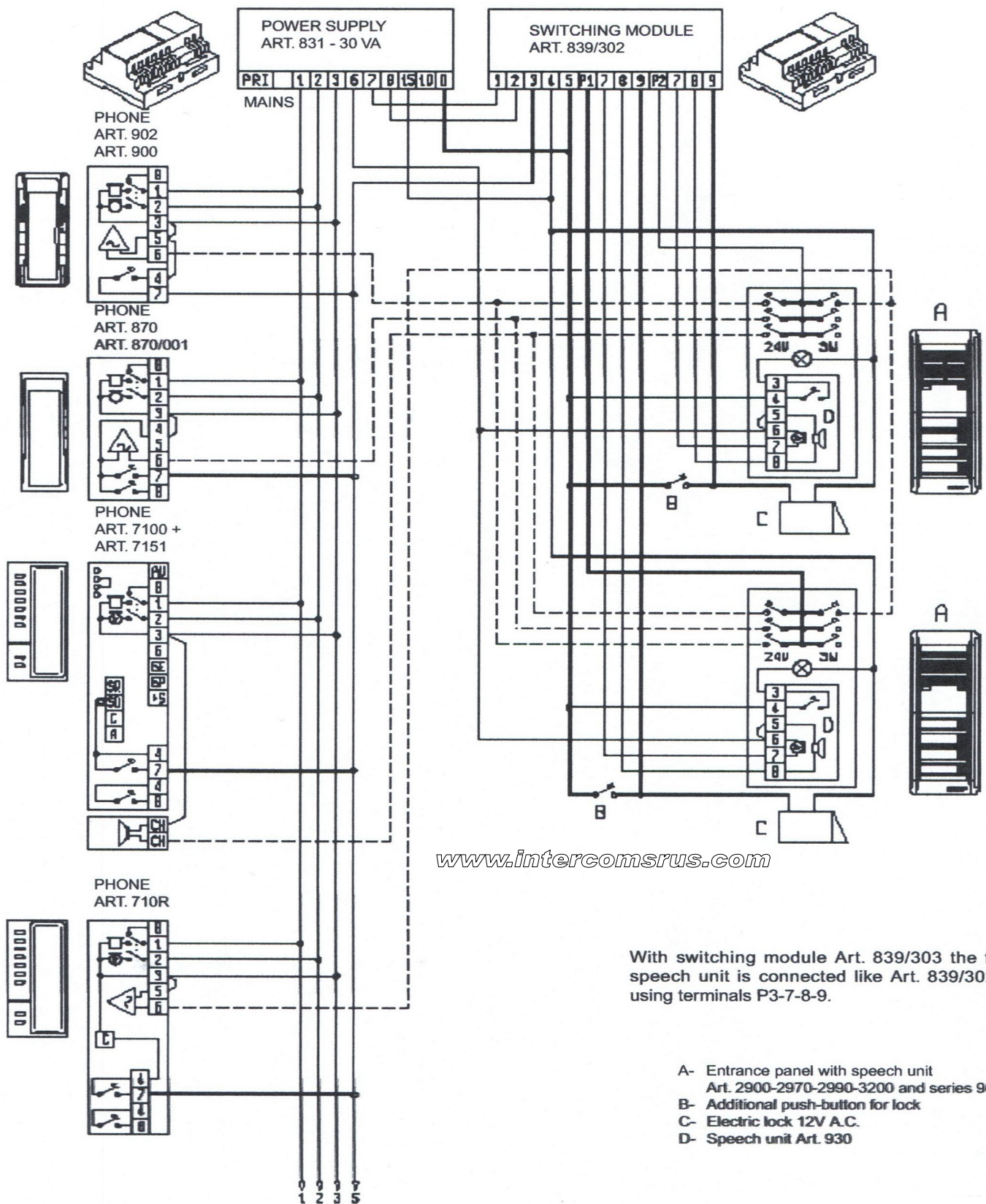
ELVOX 8870 / 900 / 620R/1 Handsets

Elvox Basic 1 Way Kit



WIRING DIAGRAM

ELVOX 8870, 900, 620R/1 with 2 Entrance Panels



www.intercomsrus.com

With switching module Art. 839/303 the third speech unit is connected like Art. 839/302 by using terminals P3-7-8-9.

- A- Entrance panel with speech unit
Art. 2900-2970-2990-3200 and series 9000
- B- Additional push-button for lock
- C- Electric lock 12V A.C.
- D- Speech unit Art. 930