

Plan 1/1+ (Door)

Entryphone® 200 Series Audio Wiring Diagrams (with single button door unit)

A

U

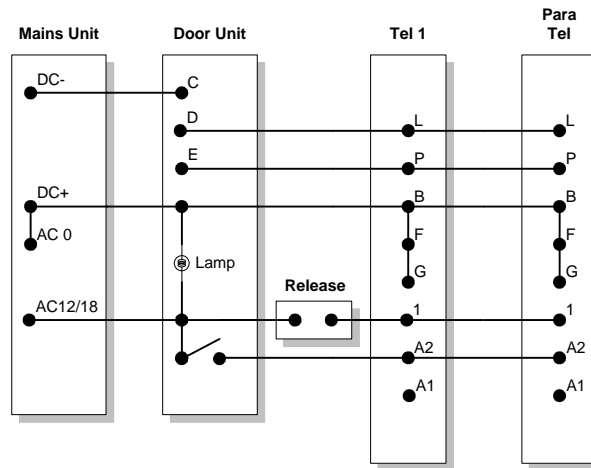
D

Operation

I

Notes

O



Plan 1 is the most common form of system found. It provides communication between an entrance and any number of occupant plus remote releasing of the door.

The list below indicates the function of each terminal, this provides useful reference particularly for tracing faults or for a fuller understanding of how the system works.

1. The 200 series telephones are fitted with electronic ringers as standard, connection A2. If a buzzer is fitted use connection A1
2. Adjustment of overall speech volume is achieved by varying the DC speech voltage.
3. Ensure all links are inserted where shown.

**PROBLEM?
PLEASE DO NOT HESITATE TO CONTACT OUR
TECHNICAL DEPARTMENT
WE ARE HERE TO HELP!**

At	Terminal	Description
D/U	C	DC COMMON FOR SPEECH AT DU
D/U	D	SPEECH TO PHONE
D/U	E	SPEECH FROM PHONE
D/U	Lamp 24V	LAMP FOR BACK LIGHTING
M/U	0	AC OUTPUT
M/U	+/0	DC & AC COMMON OUTPUT
M/U	-	DC OUTPUT
M/U	12/18	AC OUTPUT
TEL	1	TOP BUTTON
TEL	A1	CALL LINE (BUZZER)
TEL	A2	CALL LINE (ELECTRONIC RINGER)
TEL	B	BUZZER COMMON
TEL	F	COMMON FOR SPEECH
TEL	G	COMMON FOR BUTTONS
TEL	L	SPEECH FROM DOOR
TEL	P	SPEECH TO DOOR