

Noralsy™ Electronic Keypad 30 Codes / 1 Relay

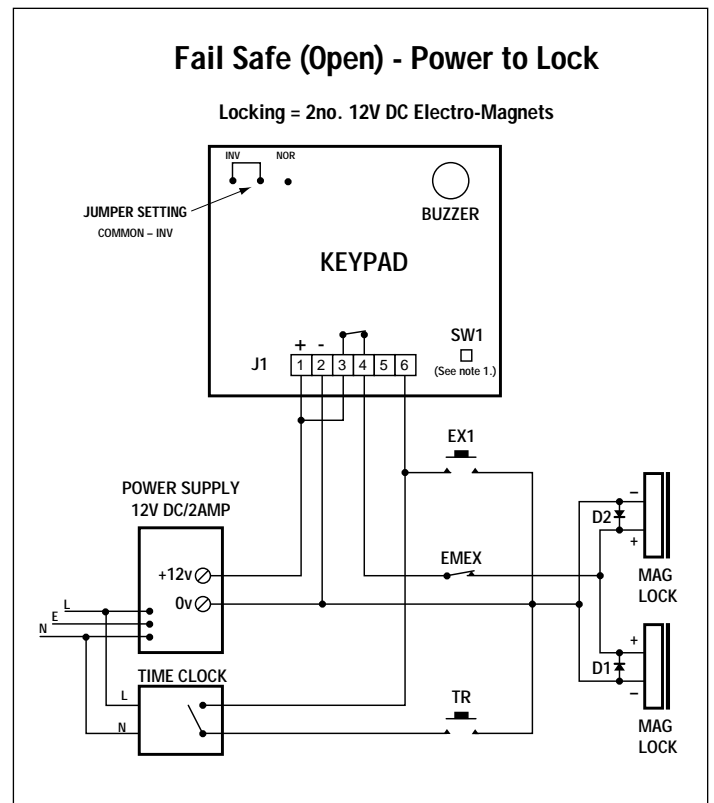
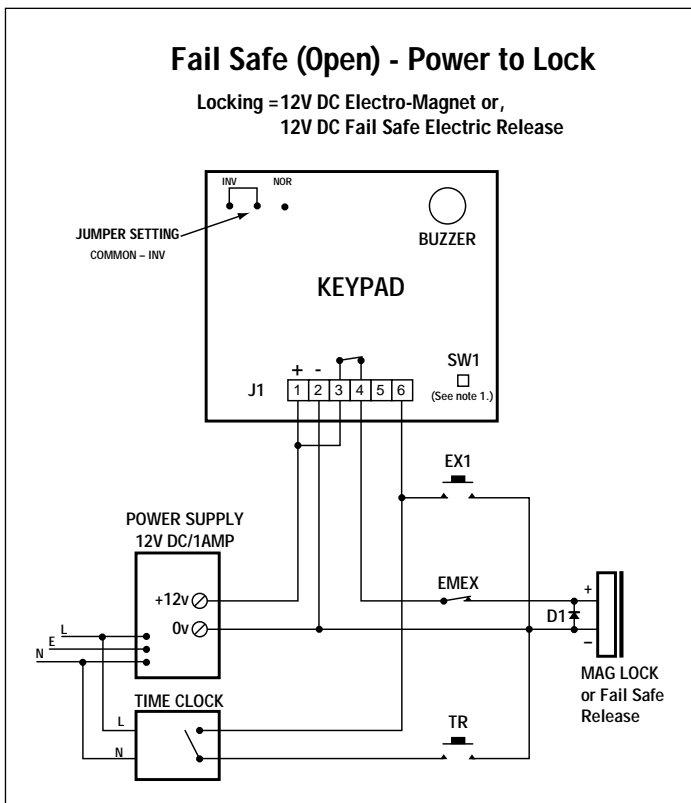
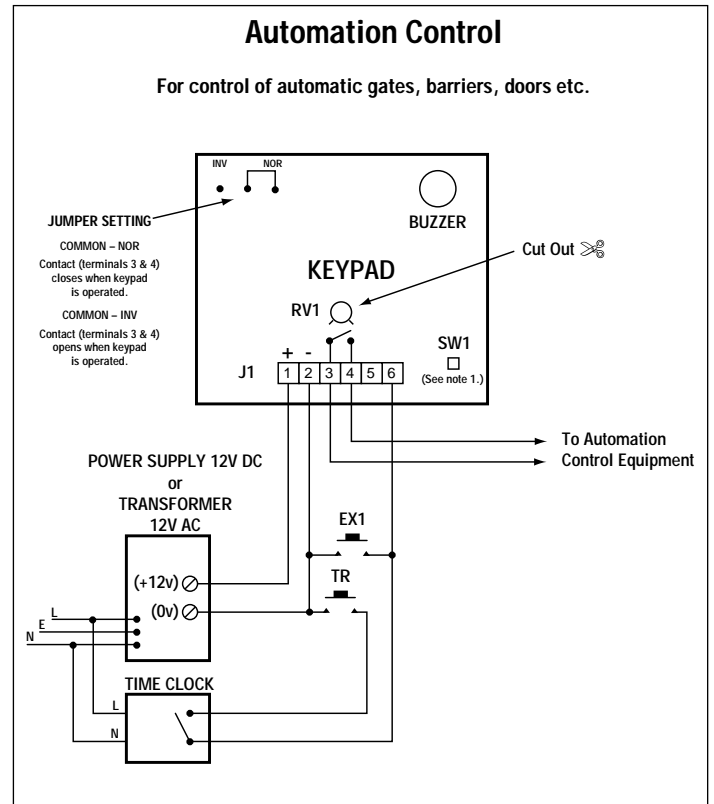
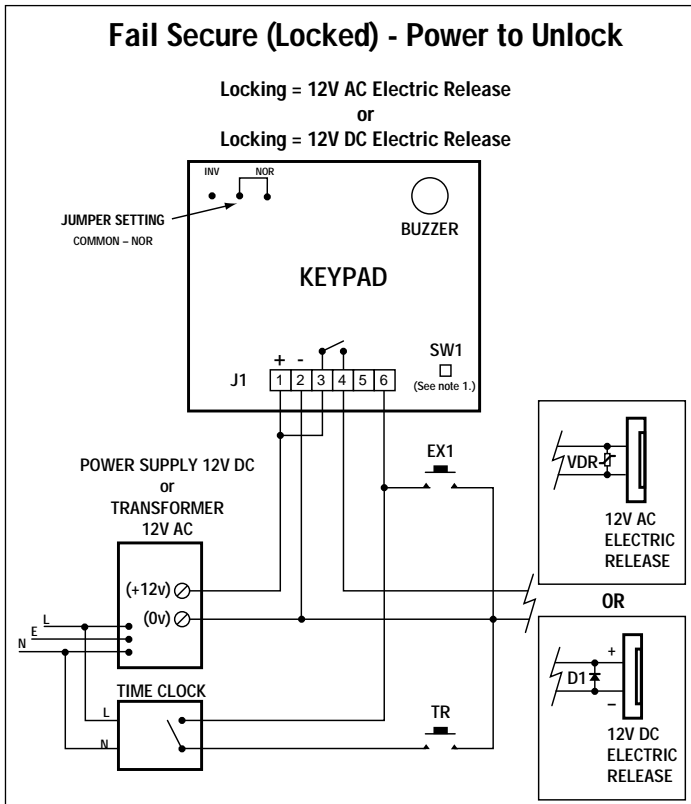
Electrical Wiring Schematics

ELEC/INST/PC1

**What
do you want
Today?**



NORALSY™
MASTERING ACCESS CONTROL™



Notes:

1. **SW1** is the programming switch used only to set initial master code on installation.
2. **EX1** = Door release button sited internally. (Normally Open Contact)
3. **TR** = Trades button controlled via a time clock. (Normally Open Contact)
4. **EMEX** = Emergency break glass exit device. (Normally Closed Contact)
5. **D1** and **D2** = Diode(s) IN4001
6. **VDR** = Varistor

Recommended Wiring

Use 8 core stranded alarm cable, rated 1amp/core.

In the event of no timed output to the lock, wire terminal 3 of block J1 directly to 12V+ of power supply.

Noralsy™ Electronic Keypad 30 Codes / 1 Relay

Installer Sheet

PROG/INST/PC1

**What
do you want
Today?**™



NORALSY™
MASTERING ACCESS CONTROL™

TOP POINTS TO REMEMBER

1. Up to 29 user entry codes available at any one time.
2. Codes are stored in slots numbered 01, 02, ...,05 and 07, 08.....30.
3. **Master Code = Programming code and must be stored in Slot 06.**
4. Each code can be any mix of digits/letters from 3 to 8 in length.

TIP - WHEN YOU ARE PROGRAMMING

Enter the numbers in quick succession after a beep. Do not wait more than 2-3 seconds in between entering numbers as this will confuse the keypad. If you have correctly entered the code (or command), you will hear 2no. series of rapid beeps.

SET-UP ON INSTALLATION

Wire up according to appropriate electrical schematic for your installation, then power up the unit. Flick the programming switch SW1 and wait for unit to start beeping every 3 seconds.

SET THE MASTER CODE WHICH IS STORED IN SLOT 06.

Example: You want the following MASTER CODE: 74AB6

After a beep enter on the keypad:

06	5	74AB6
Master Code Slot Number	Length of Code	Master Code Itself

If you have correctly entered the Master Code you will hear 2no. series of rapid beeps.

Turn off Programming Switch SW1 and secure front of keypad housing. You can now effect all programming simply by entering the Master Code and waiting for the programming beeps.

SETTING USER DOOR ENTRY CODES

Enter the Master Code onto the keypad and wait for the beeps.

Example: you want the following codes:

A94	= 3 digits
564B52	= 6 digits

After a beep enter on the keypad:

01	3	A94
Slot Number	Length of Code	Code Itself
02	6	564B52
Slot Number	Length of Code	Code Itself

NOTE CAREFULLY: No codes into slot no. 06 as this is for the Master Code !
(Unless, of course, you want to change the Master Code).

Press B to escape from programming.

DELETING USER DOOR ENTRY CODES

As all door entry codes are stored in slot numbers 01 - 05 and 07 - 30, it is easy to delete a code from the system.

NOTE CAREFULLY - Do not delete slot no. 06 unless you are going to input a new Master Code whilst still in programming mode !

Example - Your codes are:

A94	for Mr Smith	stored in Slot 01
564B52	for Staff use	stored in Slot 02

To delete Mr Smith's code - A94 - from the system simply:

Enter the Master Code onto the keypad and wait for the beeps.

After a beep enter on the keypad:

01	A
Slot Number	Delete Command

Press B to escape from programming.

Note 1. You do not have to know the actual code itself which needs to be deleted, only the slot in which it is stored.

Note 2. Capacity is never reduced as a result of deleting codes. You can always add or change codes.

SETTING LOCK OPEN TIME

Enter the Master Code onto the keypad and wait for the beeps.

Lock open time can be set at **0.2** seconds or **01 - 99** seconds.

00 00	for 0.2 seconds (automation control)
00 05	for 05 seconds
00 10	for 10 seconds
00 19	for 19 seconds etc

Press B to escape from programming.

If you do not press B to escape from programming, the keypad automatically reverts to normal mode after 20 seconds.

Noralsy™ Electronic Keypad 30 Codes / 1 Relay

Customer Sheet

PROG/CUST/PC1

**What
do you want
Today?**



NORALSY™
MASTERING ACCESS CONTROL™

Welcome to your new Noralsy™ electronic keypad access control system.

You made a wise choice. Engineered like no other, Noralsy™ electronic keypads for doors are the best selling range in Europe. Use the easy code change/add/delete and slot storage features to get the best from your Noralsy™ keypad. It is worth remembering that the longer the code(s) and the more frequent the code(s) change, the higher the security.

TOP POINTS TO REMEMBER

1. Up to 29 user entry codes available at any one time.
2. Codes are stored in slots numbered 01, 02, ...,05 and 07, 08.....30.
3. **Master Code = Programming code and must be stored in Slot 06.**
4. Each code can be any mix of digits/letters from 3 to 8 in length.

TIP - WHEN YOU ARE PROGRAMMING

Enter the numbers in quick succession after a beep. Do not wait more than 2-3 seconds in between entering numbers as this will confuse the keypad. If you have correctly entered the code (or command), you will hear 2no. series of rapid beeps.

SETTING USER DOOR ENTRY CODES

Enter the Master Code onto the keypad and wait for the beeps.

Example: you want the following codes:

A94 = 3 digits
564B52 = 6 digits

After a beep enter on the keypad:

01	3	A94
Slot Number	Length of Code	Code Itself
02	6	564B52
Slot Number	Length of Code	Code Itself

NOTE CAREFULLY: No codes into slot no. 06 as this is for the Master Code !
(Unless, of course, you want to change the Master Code).

Press B to escape from programming.

DELETING USER DOOR ENTRY CODES

As all door entry codes are stored in slot numbers 01 - 05 and 07 - 30, it is easy to delete a code from the system.

NOTE CAREFULLY - Do not delete slot no. 06 unless you are going to input a new Master Code whilst still in programming mode !

Example - Your codes are:

A94	for Mr Smith	stored in Slot 01
564B52	for Staff use	stored in Slot 02

To delete Mr Smith's code - A94 - from the system simply:

Enter the Master Code onto the keypad and wait for the beeps.

After a beep enter on the keypad:

01	A
Slot Number	Delete Command

Press B to escape from programming.

Note 1. You do not have to know the actual code itself which needs to be deleted, only the slot in which it is stored.

Note 2. Capacity is never reduced as a result of deleting codes. You can always add or change codes.

SETTING LOCK OPEN TIME

Enter the Master Code onto the keypad and wait for the beeps.

Lock open time can be set at **0.2** seconds or **01 - 99** seconds.

00 00	for 0.2 seconds (automation control)
00 05	for 05 seconds
00 10	for 10 seconds
00 19	for 19 seconds etc

Press B to escape from programming.

If you do not press B to escape from programming, the keypad automatically reverts to normal mode after 20 seconds.

Noralsy™ Electronic Keypad 30 Codes / 1 Relay

Coding Record Sheet

CRS/CUST/PC1

**What
do you want
Today?**



NORALSY™
MASTERING ACCESS CONTROL™

Notes to be filled in by customer (if required):

Installation Company Details:

Name: _____
Address: _____

Tel: _____
Fax: _____

	Date _____	Date _____	Date _____	Date _____	Date _____	Date _____
Master Code Slot 06						
User Code slot 01						
User Code slot 02						
User Code slot 03						
User Code slot 04						
User Code slot 05						
User Code slot 07						
User Code slot 08						
User Code slot 09						
User Code slot 10						
User Code slot 11						
User Code slot 12						
User Code slot 13						
User Code slot 14						
User Code slot 15						
User Code slot 16						
User Code slot 17						
User Code slot 18						
User Code slot 19						
User Code slot 20						
User Code slot 21						
User Code slot 22						
User Code slot 23						
User Code slot 24						
User Code slot 25						
User Code slot 26						
User Code slot 27						
User Code slot 28						
User Code slot 29						
User Code slot 30						