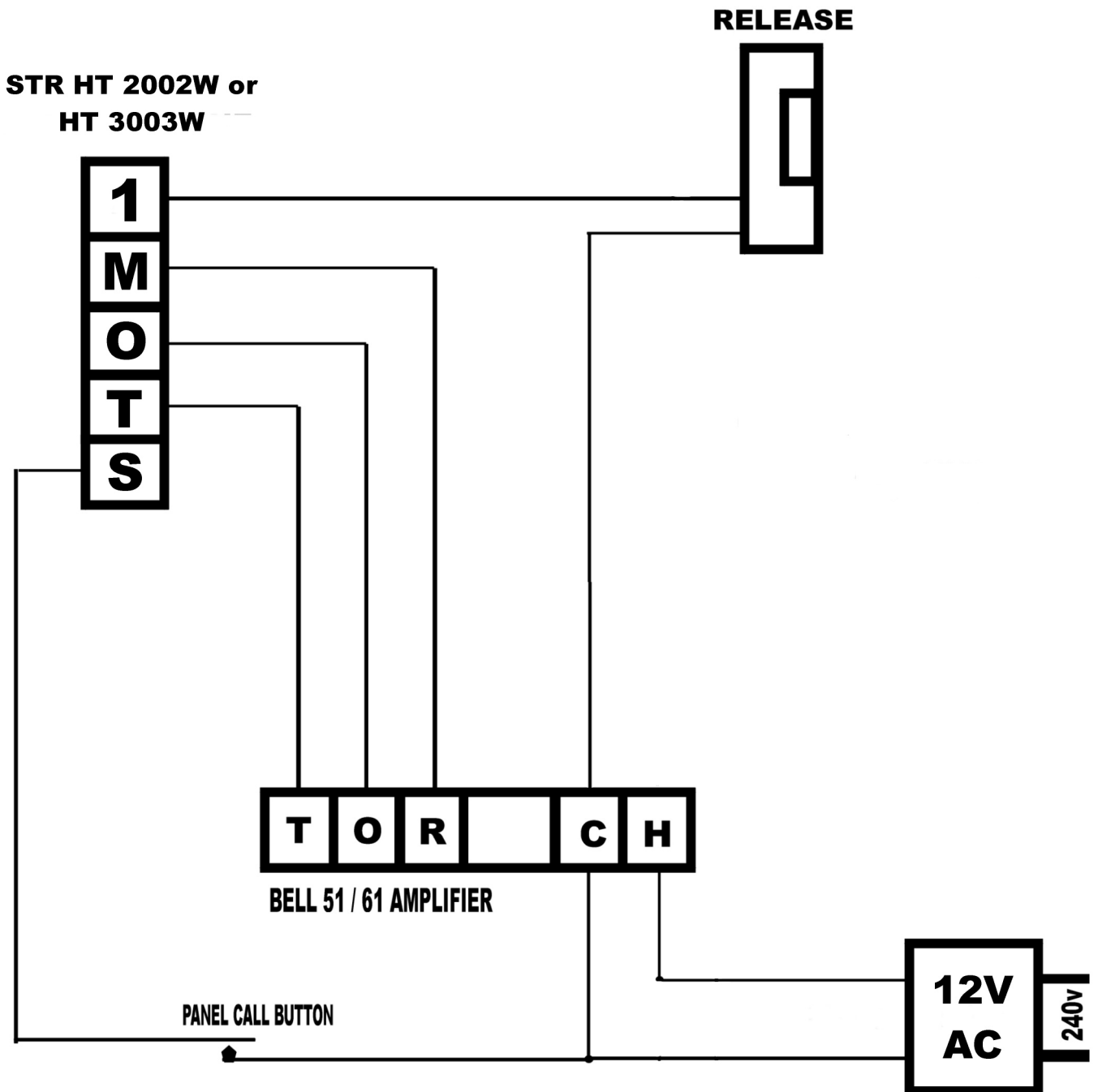


STR CONVERSION TO BELL 61 AMP

INTERCOMS R US LTD

www.intercomsrus.com 0208 301 1722 0780 388 2407



- 1) Remove Original HT 200 TV / Speaker and Microphone.
- 2) Fit Bell 61 in front panel and Power supply in place of HT200TV and wire as above