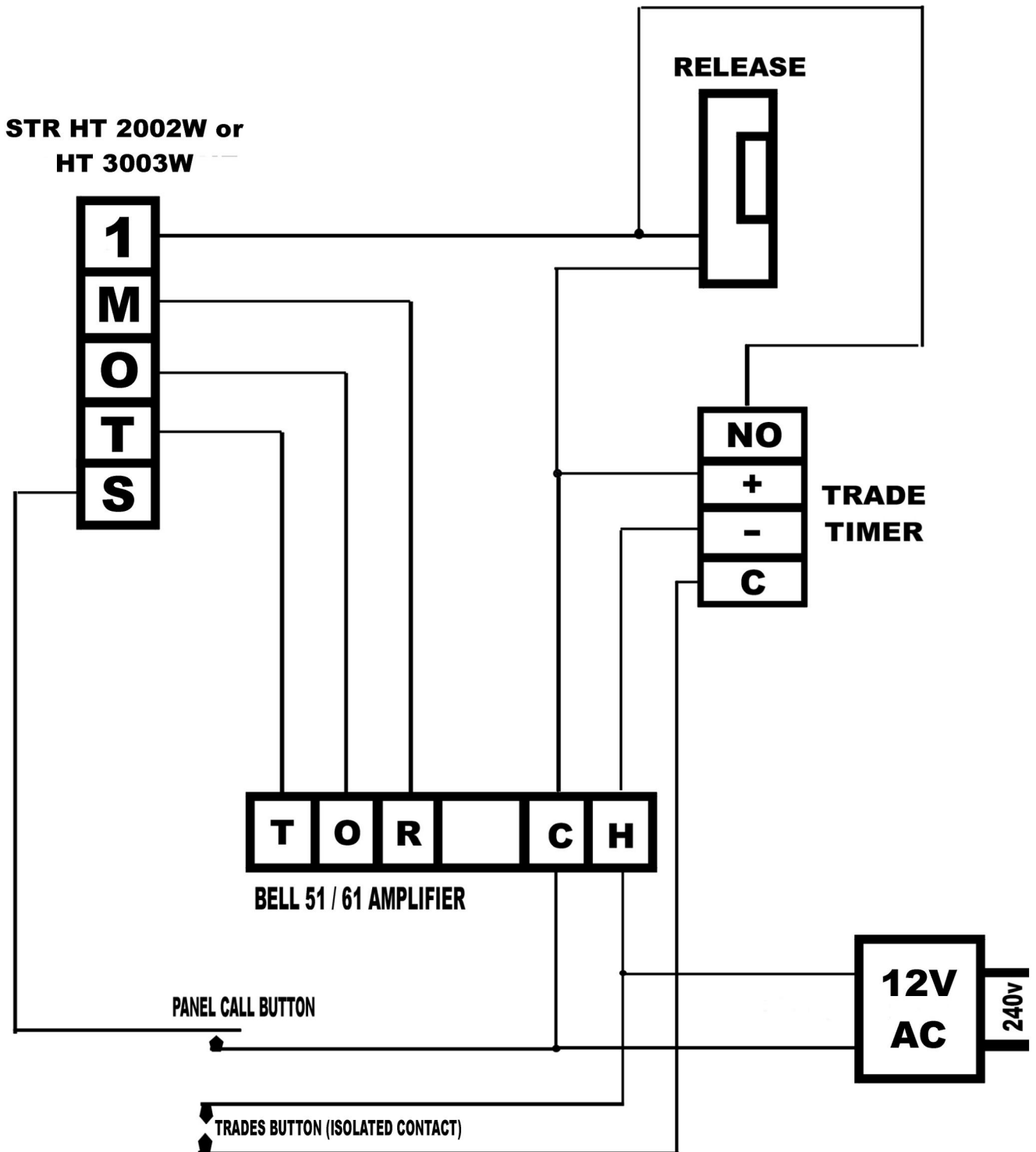


STR CONVERSION TO BELL 61 AMP

INTERCOMS R US LTD

www.intercomsrus.com 0208 301 1722 0780 388 2407



NOTE : YOU WILL NEED THE FOLLOWING PARTS :

- 1) 1 x BELL 61 SPEECH AMPLIFIER
- 2) 1 x 12VAC TRANSFORMER

IMPORTANT !!! YOU WILL HAVE TO REMOVE ORIGINAL STR POWER SUPPLY AND LINK THE SPEECH WIRES THROUGH TO THE FRONT PANEL, THEN WIRE UP AS SHOWN.