

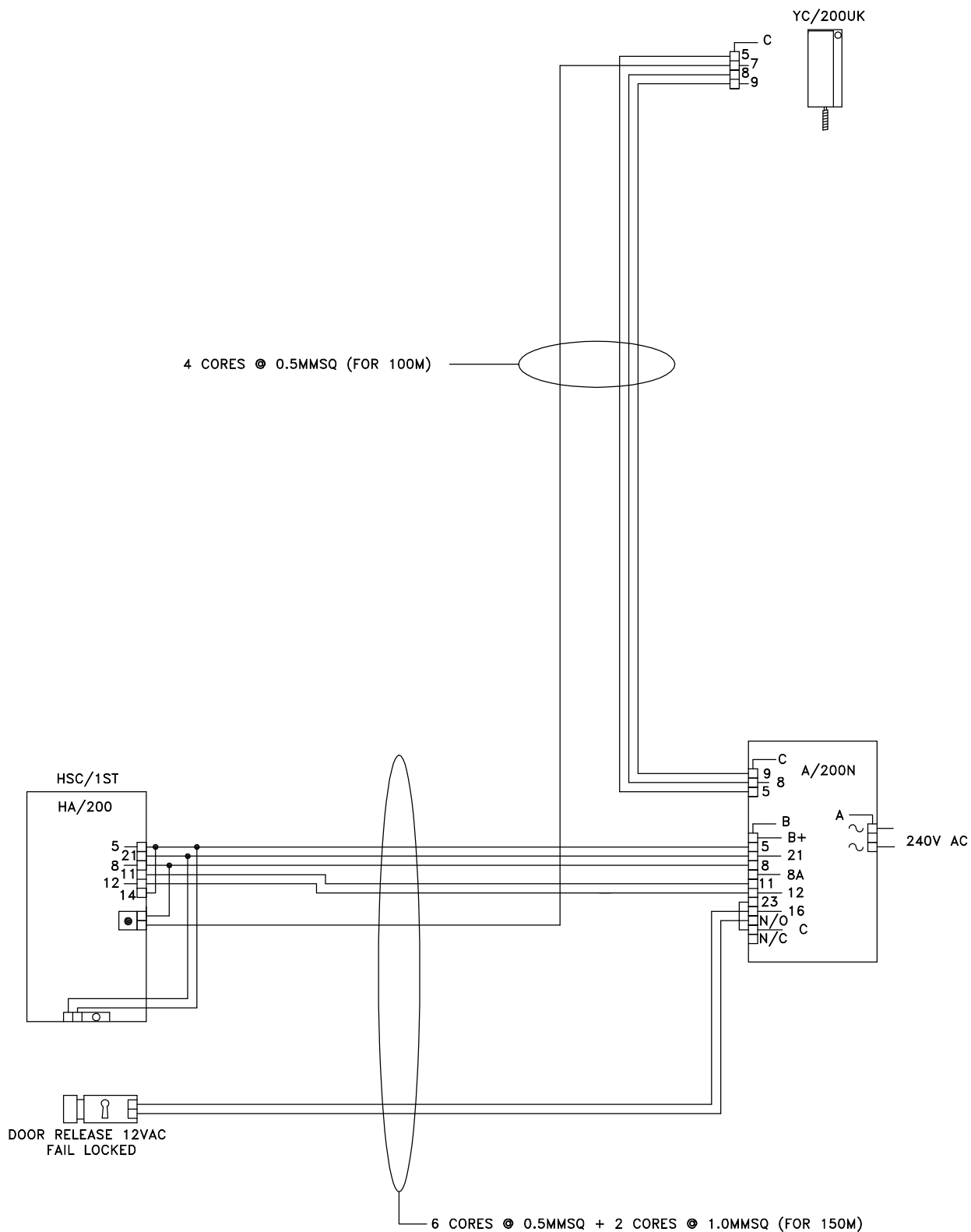
# System 200 Audio Installation Drawings.

Please click on your chosen drawing from the list below

| Contents                                     | Page |
|--|------|
| <b>Single Entrance 1 Button Drawings</b>     |      |
| 1 Lynea Handset                              | 2    |
| 3 Lynea Handset                              | 3    |
| 4 Lynea Handset                              | 4    |
| 7 Lynea Handset                              | 5    |
| 1 Nova Receiver                              | 6    |
| <b>Single Entrance With Keypad Drawings</b>  |      |
| Targha                                       | 7    |
| Vandal Resistant                             | 8    |
| <b>Single Entrance Multi Button Drawings</b> |      |
| Lynea Handsets                               | 9    |
| Nova Receivers                               | 10   |
| <b>Multiple Entrance Drawings</b>            |      |
| 2 Entrances - With Targha Keypad             | 11   |
| 2 Entrances - With Vandal Resistant Keypad   | 12   |
| 3 Entrances                                  | 13   |

issue 1.

NOTE:  
THIS DRAWING INDICATES AND ASSUMES THE USE OF  
A MINIMUM OF 0.5MM CSA PER CORE.



BPT (UK) LTD.  
HERTS. ENGLAND

PREPARED FOR  
INSTALLER INFORMATION

DATE: 02/08/04  
REVISED:

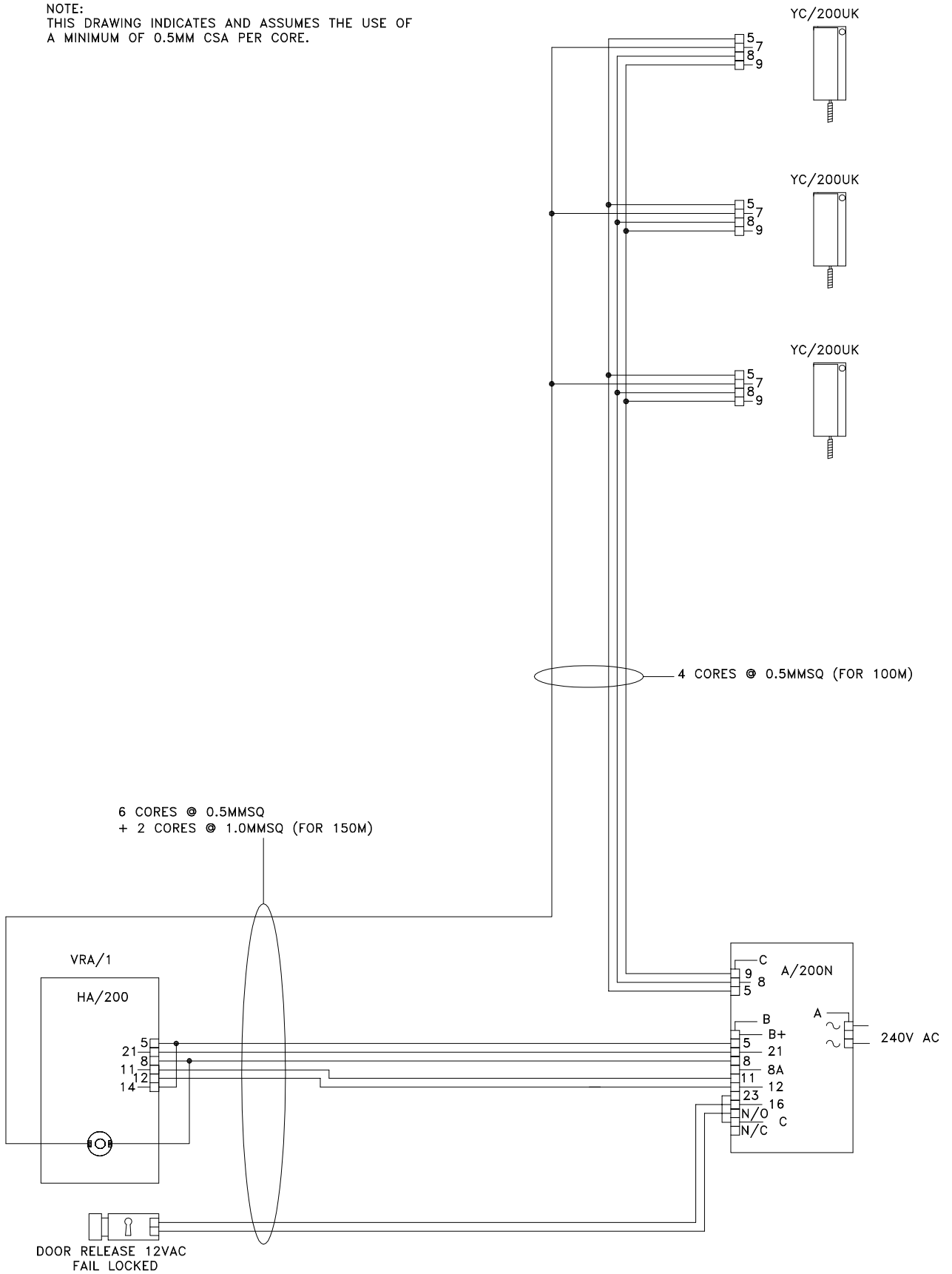
DRAWN:RC

DRAWING TITLE:

SINGLE HOUSE INSTALLATION USING 1 TARGHA  
AUDIO ENTRY PANEL

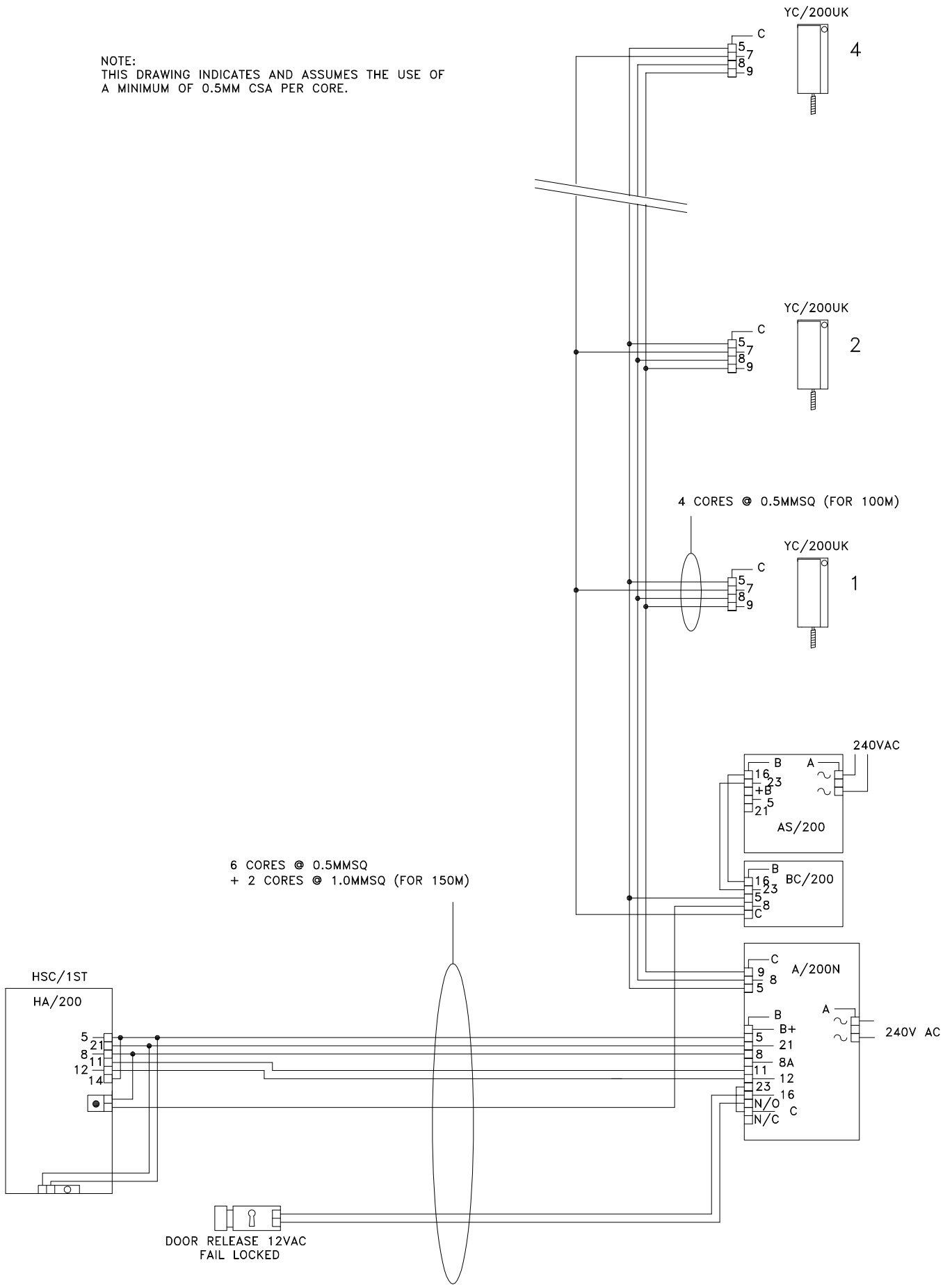
DRAWING No: E-1T1Y1L

NOTE:  
THIS DRAWING INDICATES AND ASSUMES THE USE OF  
A MINIMUM OF 0.5MM CSA PER CORE.



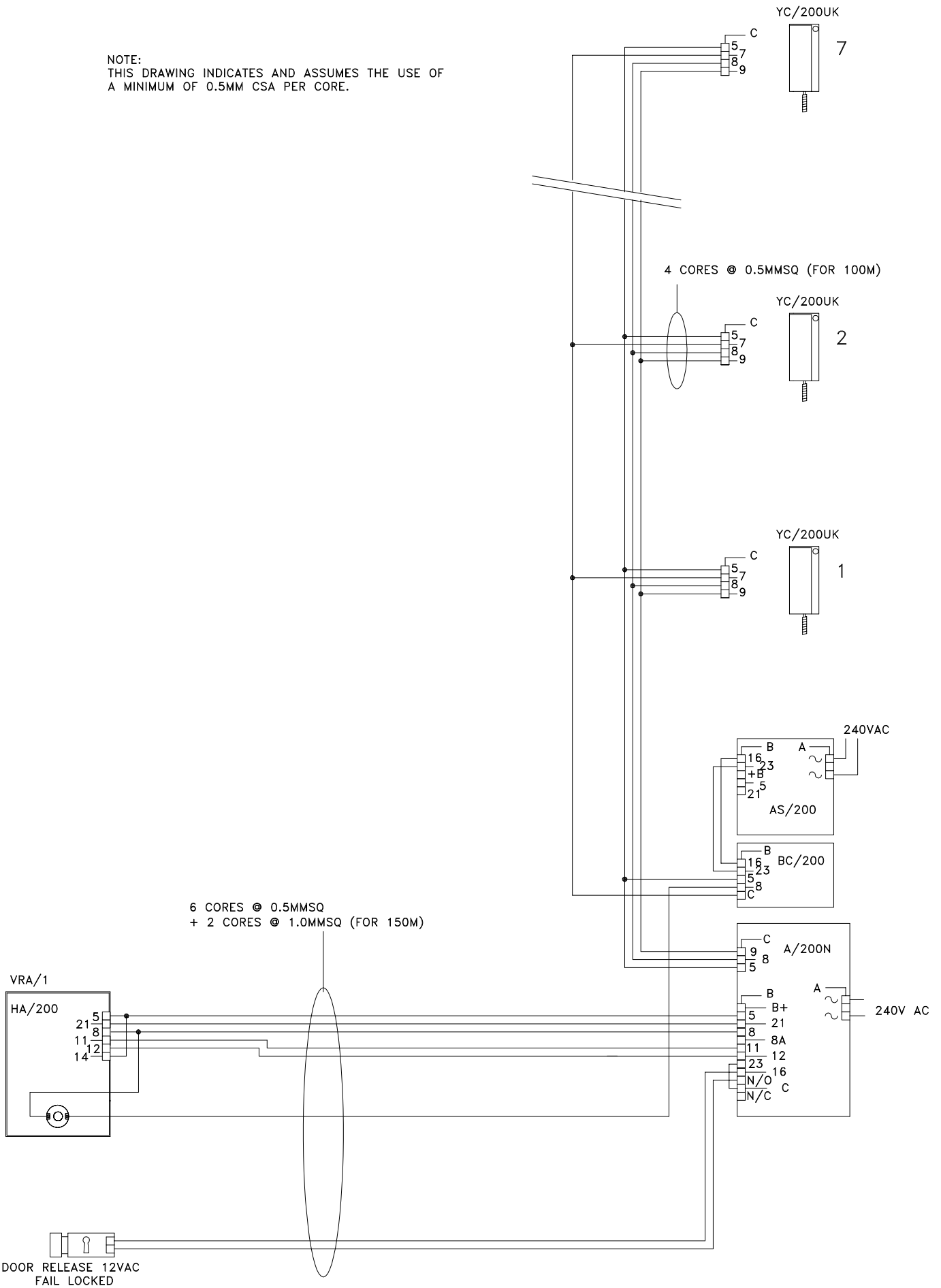
|                                 |   |                      |          |
|---------------------------------|---|----------------------|----------|
| BPT (UK) LTD.<br>HERTS. ENGLAND | PREPARED FOR<br>INSTALLER INFORMATION                   | DATE: 28/07/04       | DRAWN:RC |
|                                 |   | REVISED:             |          |
| DRAWING TITLE:                  | 1 X 1 BUTTON VR AUDIO ENTRY PANEL<br>& 3 LYNEA HANDSETS | DRAWING No: E-1V1Y3L |          |

NOTE:  
THIS DRAWING INDICATES AND ASSUMES THE USE OF  
A MINIMUM OF 0.5MM CSA PER CORE.



|                                 |  |                      |          |
|---------------------------------|--|----------------------|----------|
| BPT (UK) LTD.<br>HERTS. ENGLAND | PREPARED FOR<br>INSTALLER INFORMATION  | DATE: 10/06/04       | DRAWN:RC |
|                                 |  | REVISED:             |          |
| DRAWING TITLE:                  | SINGLE HOUSE INSTALLATION USING 1 TARGHA<br>AUDIO ENTRY PANEL CALLING 4 LYNEA HANDSETS | DRAWING No: E-1T1Y4L |          |

NOTE:  
THIS DRAWING INDICATES AND ASSUMES THE USE OF  
A MINIMUM OF 0.5MM CSA PER CORE.



BPT (UK) LTD.  
HERTS. ENGLAND

PREPARED FOR  
INSTALLER INFORMATION

DATE: 24/09/04

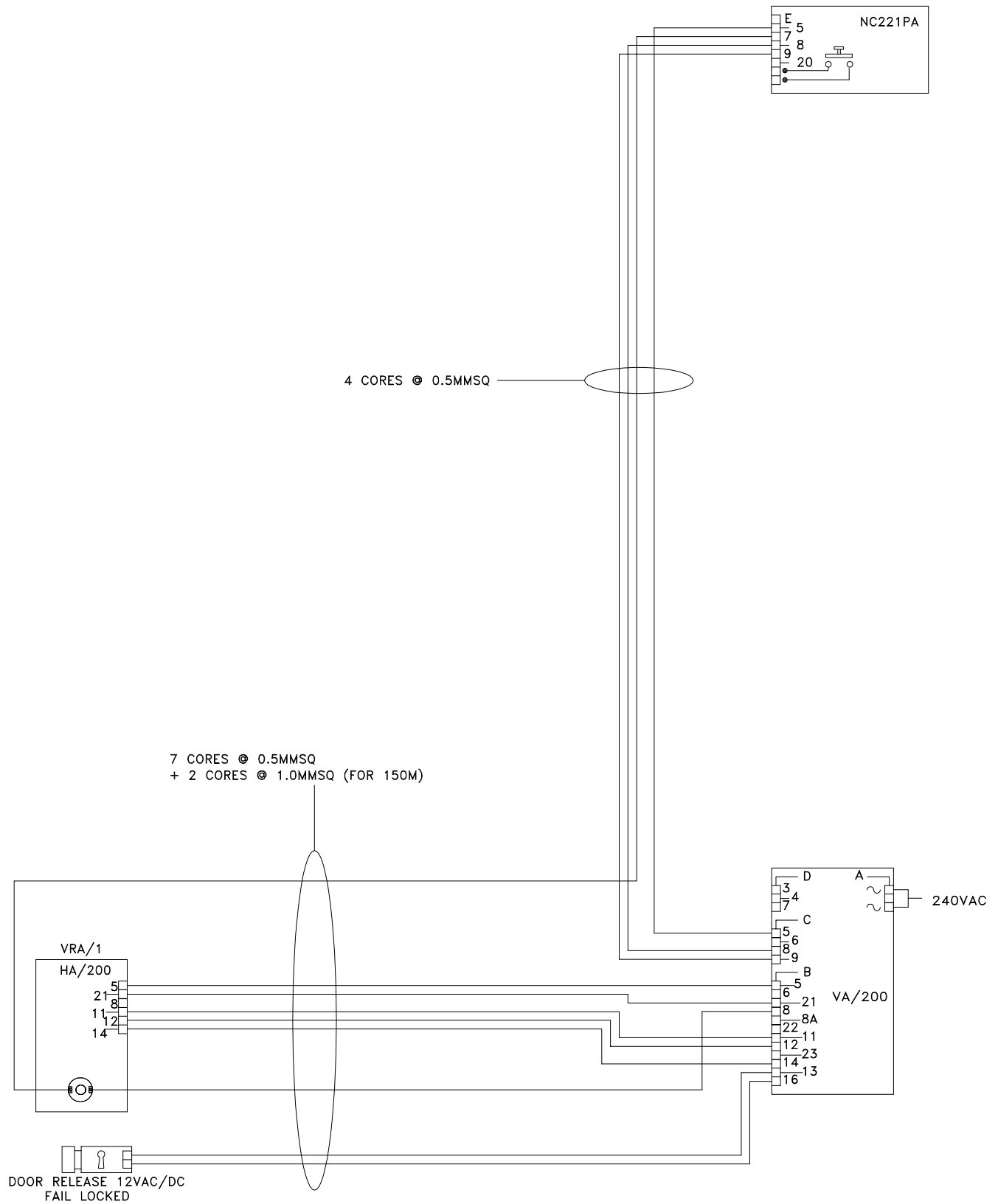
DRAWN:RC

REVISED:

DRAWING TITLE:

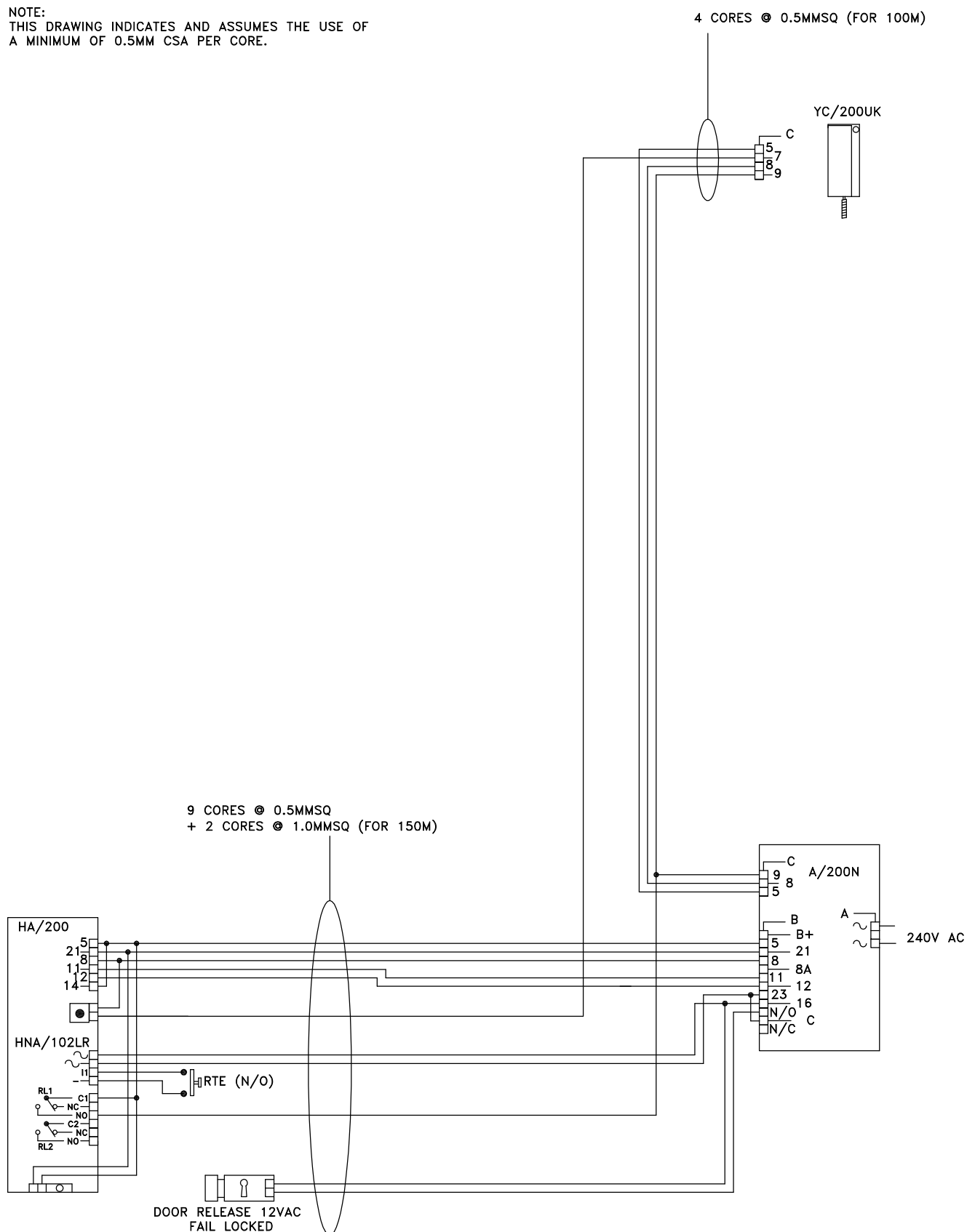
1 X 1 BUTTON VR AUDIO ENTRY PANEL WITH  
& 7 LYNEA HANDSETS

DRAWING No: E-1V1Y7L



|                                 |   |                           |           |
|---------------------------------|---|---------------------------|-----------|
| BPT (UK) LTD.<br>HERTS. ENGLAND | PREPARED FOR<br>INSTALLER INFORMATION   | DATE: 25/09/03            | DRAWN: RC |
|                                 |   | REVISED:                  |           |
| DRAWING TITLE:                  | SINGLE HOUSE INSTALLATION USING 1 VR<br>AUDIO ENTRY PANEL AND 1 NOVA AUDIO UNIT | DRAWING No: B-1V1N1L(AUD) |           |

NOTE:  
THIS DRAWING INDICATES AND ASSUMES THE USE OF  
A MINIMUM OF 0.5MM CSA PER CORE.



BPT (UK) LTD.  
HERTS. ENGLAND

PREPARED FOR  
INSTALLER INFORMATION

DATE: 01/09/04

DRAWN:RC

REVISED:

DRAWING TITLE:

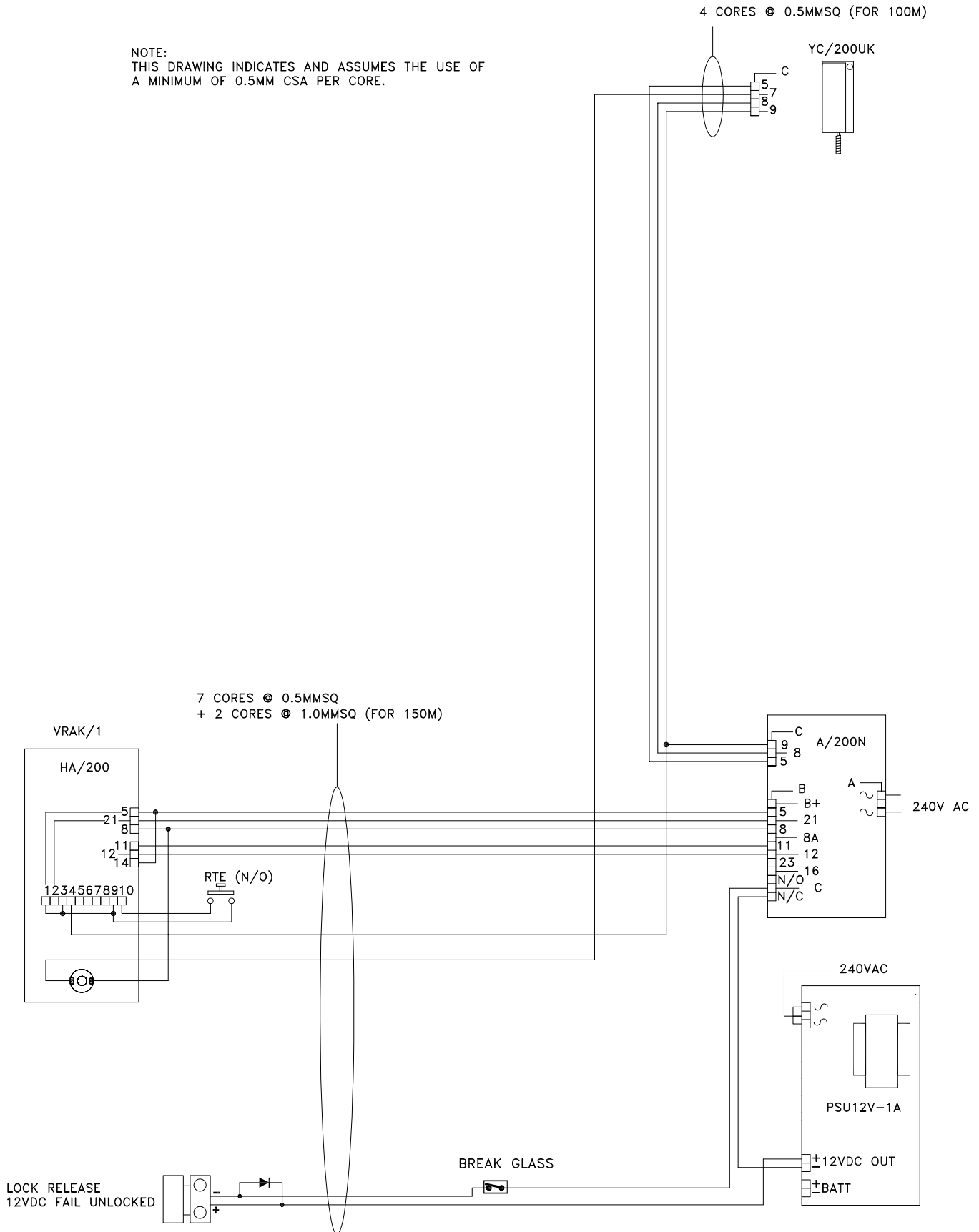
SINGLE HOUSE INSTALLATION USING 1 TARGHA  
AUDIO ENTRY PANEL WITH HNA102 KEYPAD

DRAWING No: E-1T1Y1LK

NOTE:  
THIS DRAWING INDICATES AND ASSUMES THE USE OF  
A MINIMUM OF 0.5MM CSA PER CORE.

4 CORES @ 0.5MMSQ (FOR 100M)

YC/200UK



IT IS VERY IMPORTANT THAT A SUPPRESSION DEVICE BE FITTED  
DIRECTLY ACROSS THE DC RELEASE SUPPLY LINES. IF THE  
RELEASE IS NOT INTERNALLY SUPPRESSED USE A 1N4003

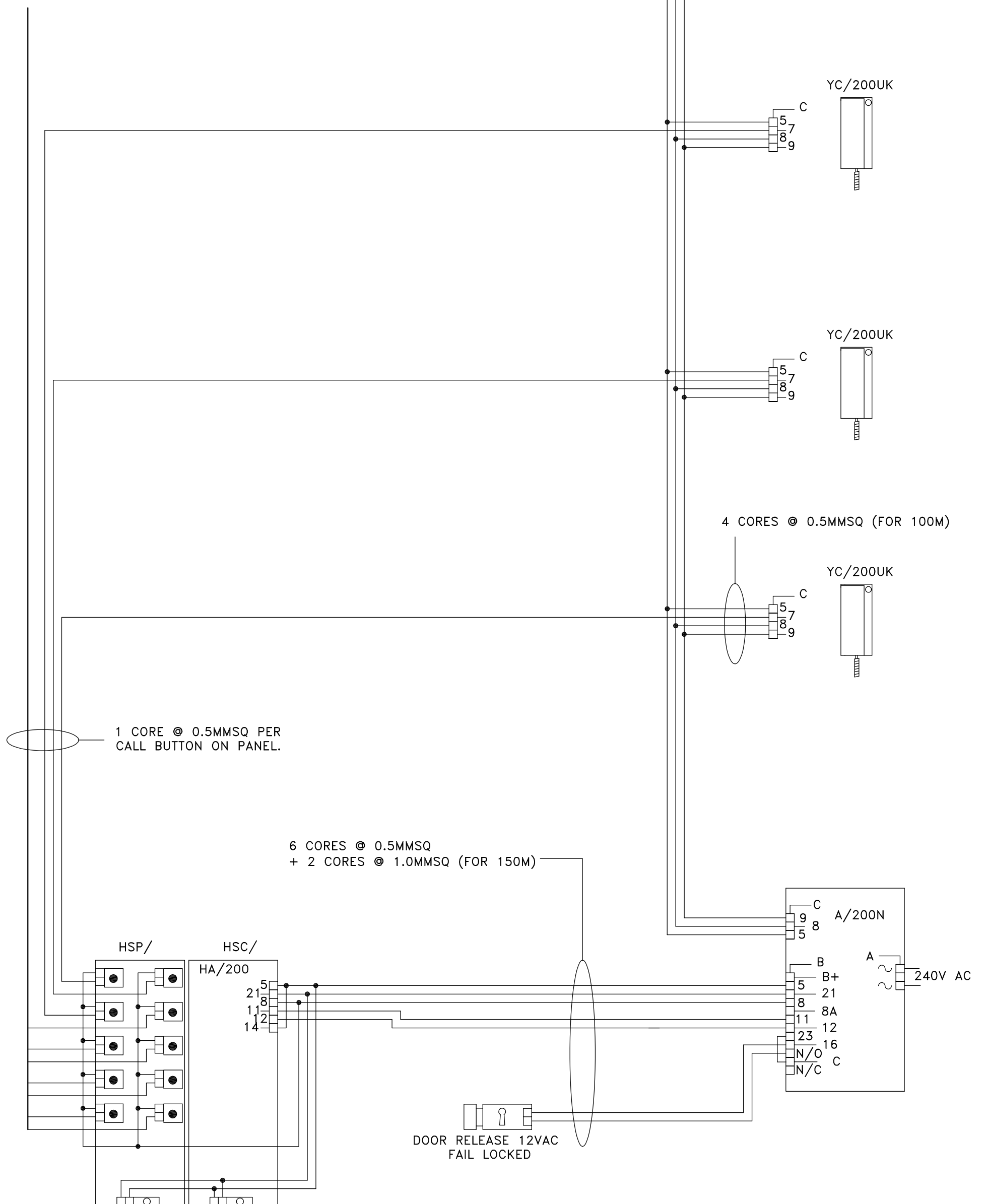
|                                 |   |                       |          |
|---------------------------------|---|-----------------------|----------|
| BPT (UK) LTD.<br>HERTS. ENGLAND | PREPARED FOR<br>INSTALLER INFORMATION                                       | DATE: 13/08/03        | DRAWN:RC |
|                                 |   | REVISED:              |          |
| DRAWING TITLE:                  | 1 X 1 BUTTON VR AUDIO ENTRY PANEL WITH<br>KEYPAD, MAGLOCK & 1 LYNEA HANDSET | DRAWING No: E-1V1Y1UK |          |



NOTE:  
THIS DRAWING INDICATES AND ASSUMES THE USE OF  
A MINIMUM OF 0.5MM CSA PER CORE.

CALL LINES TO FURTHER  
HANDSETS

TO FURTHER HANDSETS



BPT (UK) LTD.  
HERTS. ENGLAND

PREPARED FOR  
INSTALLER INFORMATION

DATE: 16/04/04

DRAWN:RC

REVISED:

DRAWING TITLE:

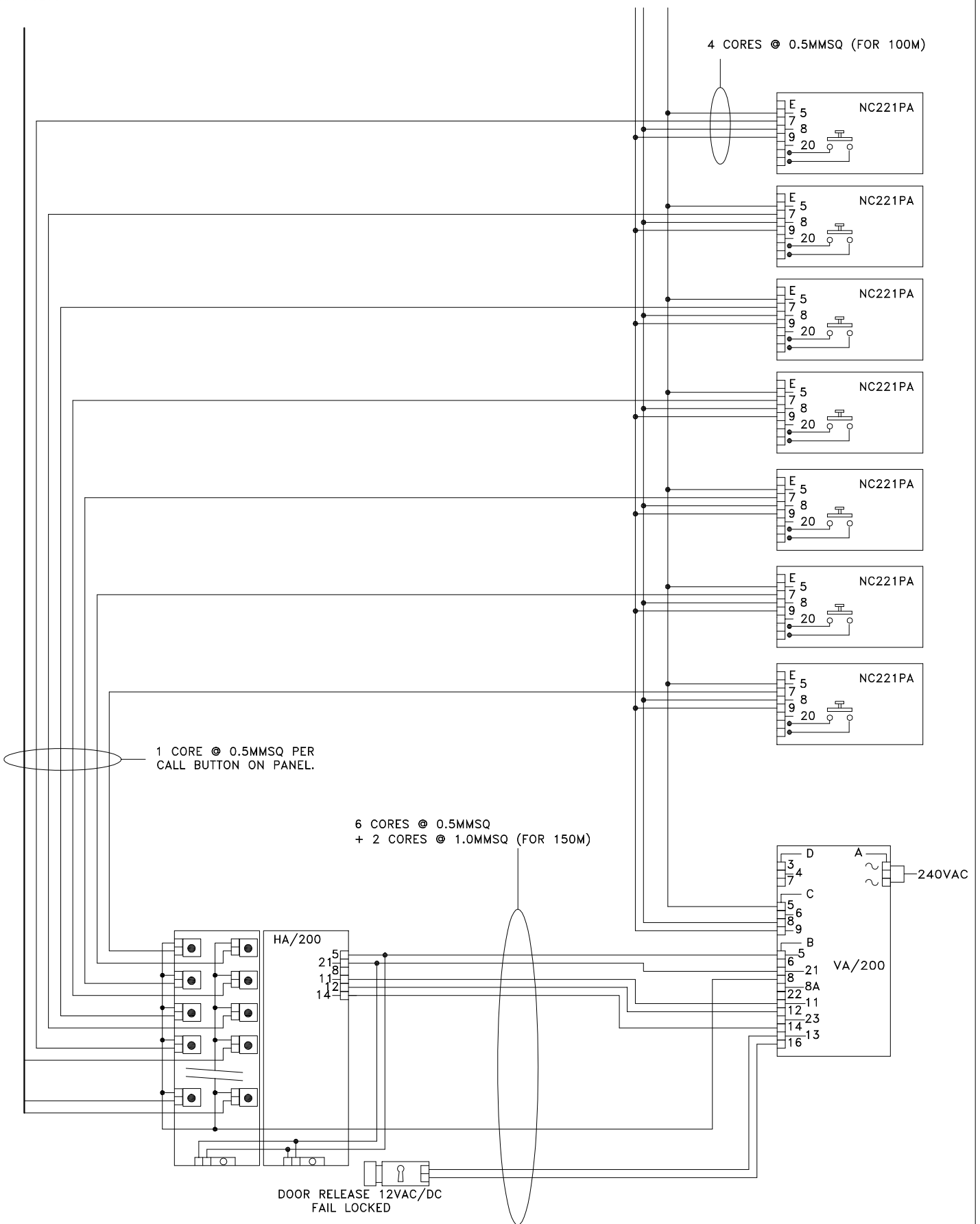
MULTI-FLAT INSTALLATION USING 1 TARGHA  
AUDIO ENTRY PANEL

DRAWING No: E-NT1YNL

NOTE:  
THIS DRAWING INDICATES AND ASSUMES THE USE OF  
A MINIMUM OF 0.5MM CSA PER CORE.

CALL LINES TO FURTHER  
HANDSETS

TO FURTHER HANDSETS



BPT (UK) LTD.  
HERTS. ENGLAND

PREPARED FOR  
INSTALLER INFORMATION

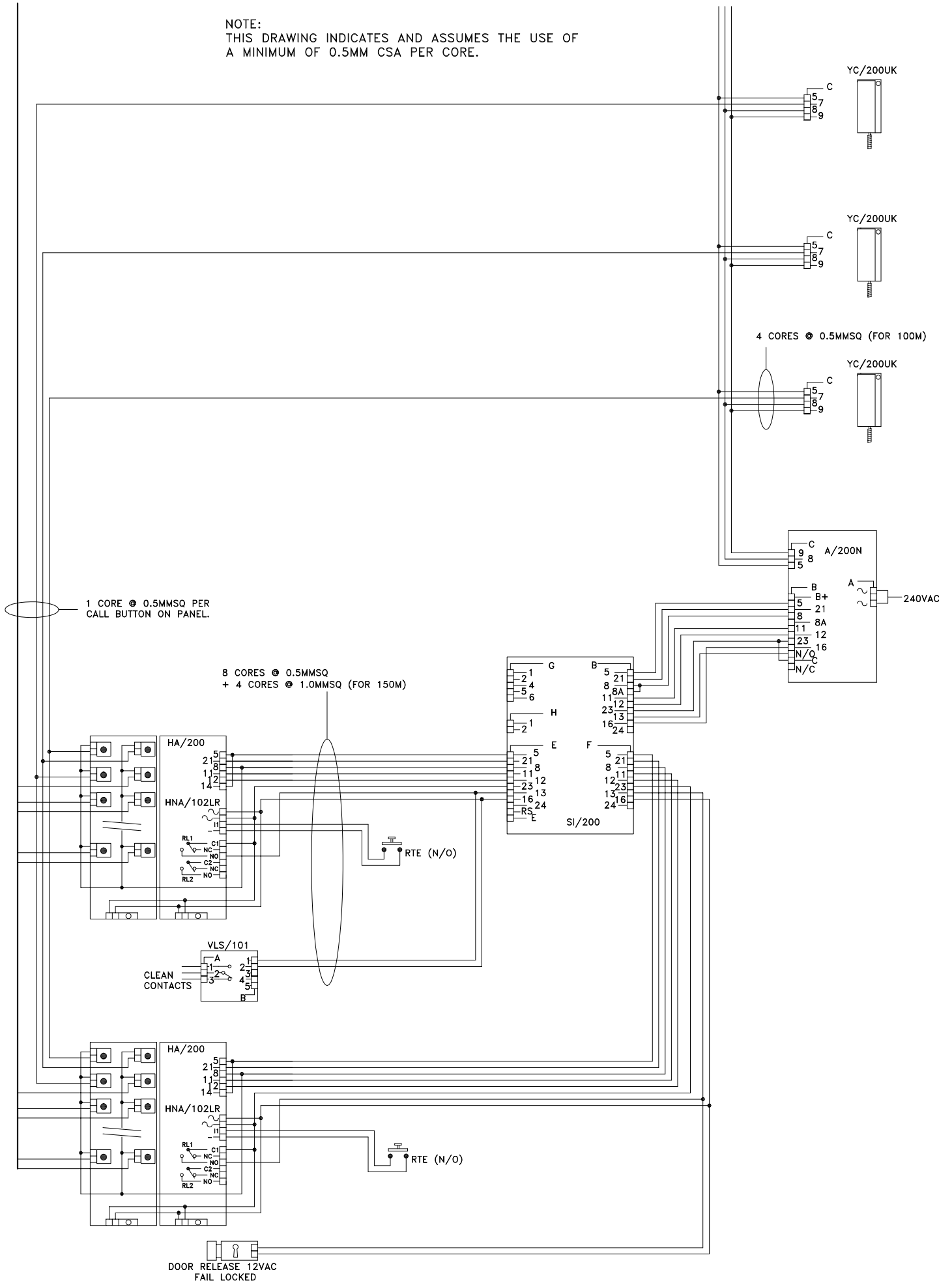
DATE: 05/05/04    DRAWN: RC  
REVISED:

DRAWING TITLE:

MULTI-FLAT INSTALLATION USING 1 TARGHA  
AUDIO ENTRY PANEL & NOVA AUDIO UNITS

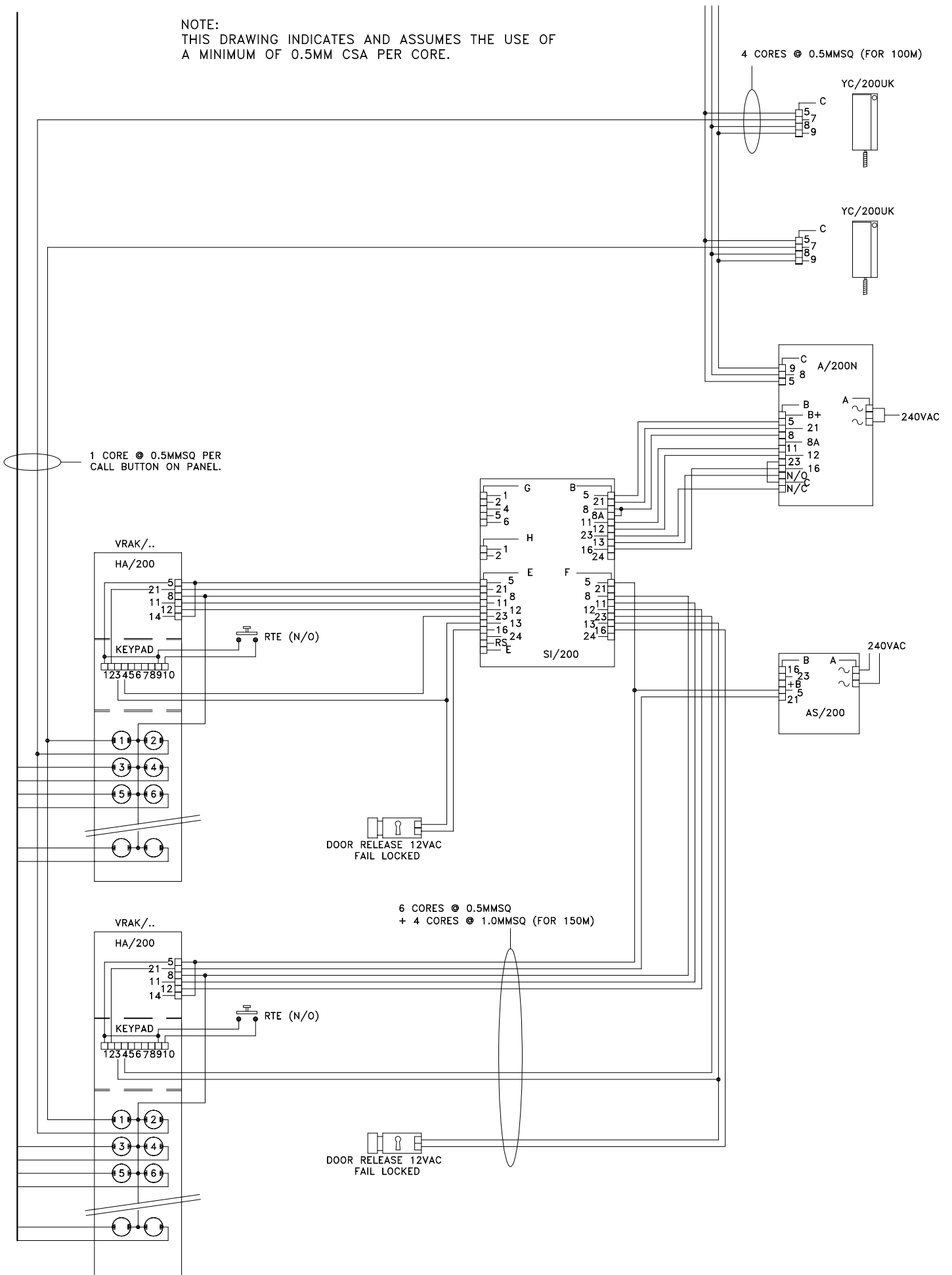
DRAWING No: B-NT1NNL(AUD)

NOTE:  
THIS DRAWING INDICATES AND ASSUMES THE USE OF  
A MINIMUM OF 0.5MM CSA PER CORE.



|                                 |                                       |                        |          |
|---------------------------------|---------------------------------------|------------------------|----------|
| BPT (UK) LTD.<br>HERTS. ENGLAND | PREPARED FOR<br>INSTALLER INFORMATION | DATE: 02/10/07         | DRAWN:RC |
|                                 |                                       | REVISED:               |          |
| DRAWING TITLE:                  |                                       | DRAWING No: E-NT2YNLCK |          |

NOTE:  
THIS DRAWING INDICATES AND ASSUMES THE USE OF  
A MINIMUM OF 0.5MM CSA PER CORE.



|                                 |   |                       |          |
|---------------------------------|---|-----------------------|----------|
| BPT (UK) LTD.<br>HERTS. ENGLAND | PREPARED FOR<br>INSTALLER INFORMATION                                 | DATE: 01/06/04        | DRAWN:RC |
|                                 |   | REVISED:              |          |
| DRAWING TITLE:                  | MULTI-FLAT INSTALLATION USING 2 VR<br>AUDIO ENTRY PANELS WITH KEYPADS | DRAWING No: E-NV2YNLK |          |

