

System 200 Video Installation Drawings.

Please click on your chosen drawing from the list below

Contents	Page
Single Entrance 1 Button Drawings	
1 Lynea Monitor	2
Single Entrance With Keypad Drawings	
Targha	3
Vandal Resistant	4
Single Entrance Multiple Button Drawings	
Lynea Handsets	5
Multiple Entrance Drawings - Single Button	
2 Entrances - With Targha Keypad	6
2 Entrances - With Vandal Resistant Keypad	7
Multiple Entrance Drawings - Multiple Button	
2 Entrances to Lynea	8
1 Video & 2 Audio Targha Entrances	9
3 Entrances to Nova Monitors	10

issue 1.

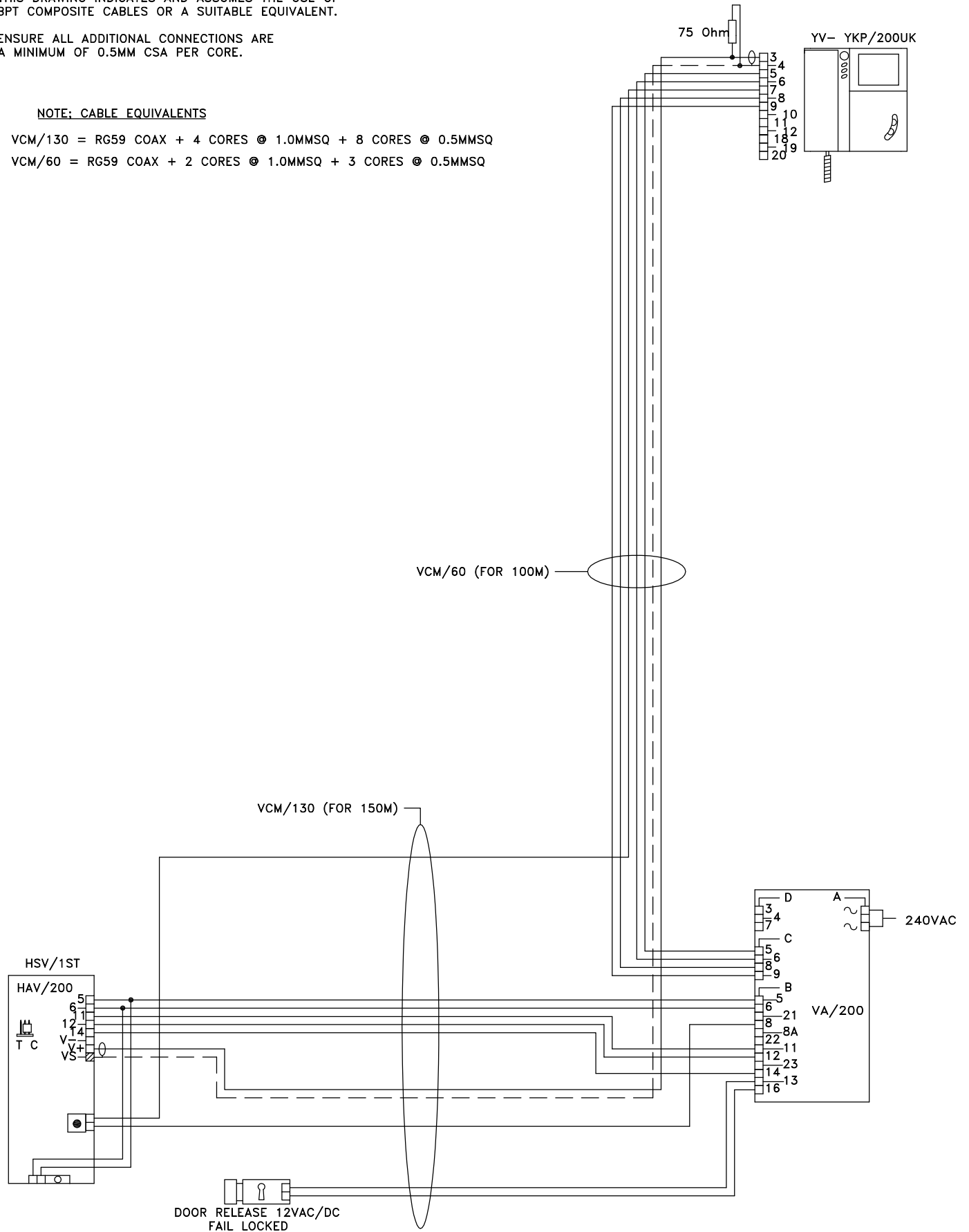
NOTE:
THIS DRAWING INDICATES AND ASSUMES THE USE OF
BPT COMPOSITE CABLES OR A SUITABLE EQUIVALENT.

ENSURE ALL ADDITIONAL CONNECTIONS ARE
A MINIMUM OF 0.5MM CSA PER CORE.

NOTE: CABLE EQUIVALENTS

VCM/130 = RG59 COAX + 4 CORES @ 1.0MMSQ + 8 CORES @ 0.5MMSQ

VCM/60 = RG59 COAX + 2 CORES @ 1.0MMSQ + 3 CORES @ 0.5MMSQ



BPT (UK) LTD.
HERTS. ENGLAND

PREPARED FOR
INSTALLER INFORMATION

DATE: 12/05/04 DRAWN: RC
REVISED:

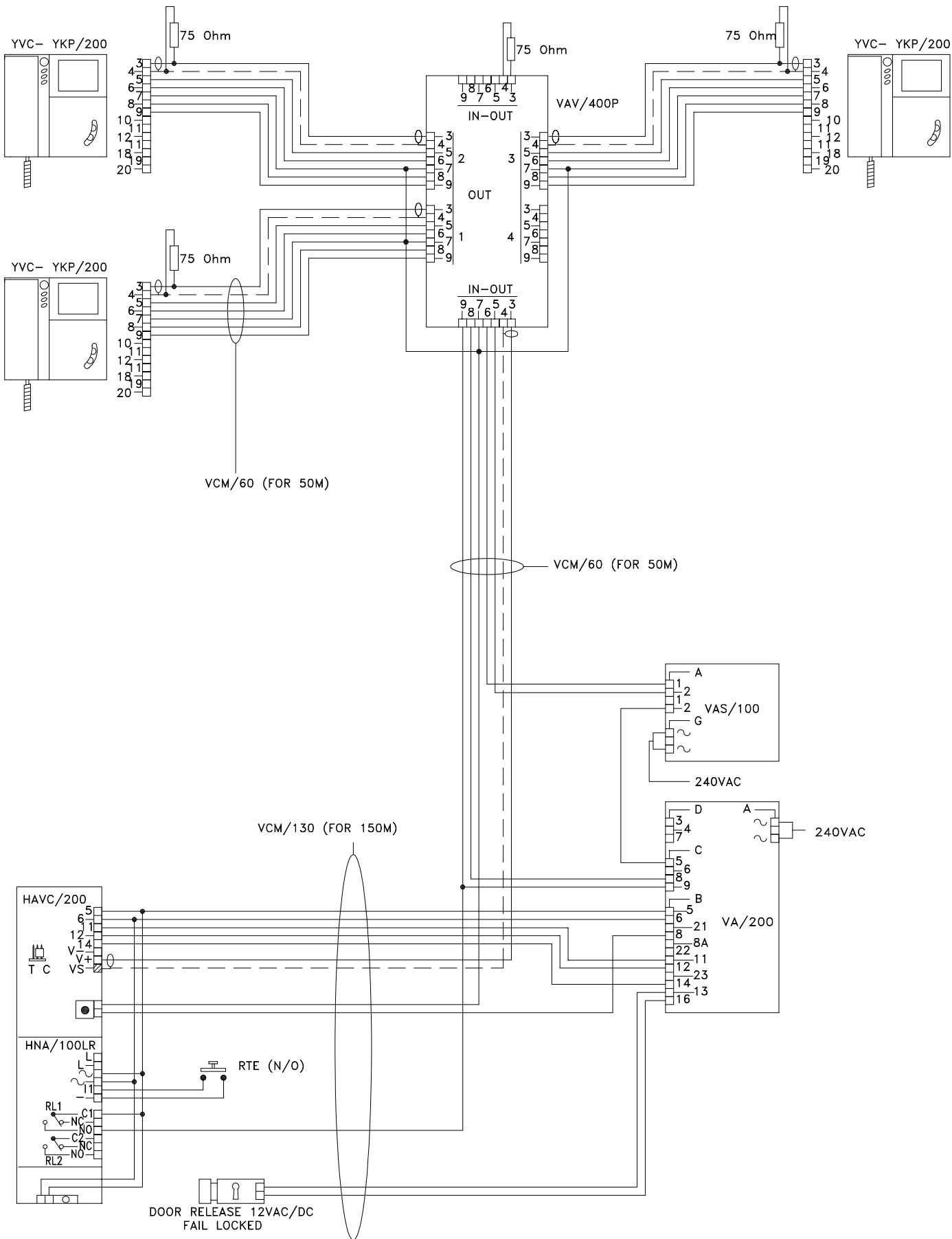
DRAWING TITLE: EXAMPLE VKIT/1TAR

DRAWING No: B-1T1Y1L

NOTE: CABLE EQUIVALENTS

VCM/130 = RG59 COAX + 4 CORES @ 1.0MMSQ + 8 CORES @ 0.5MMSQ

VCM/60 = RG59 COAX + 2 CORES @ 1.0MMSQ + 3 CORES @ 0.5MMSQ



BPT (UK) LTD.
HERTS. ENGLAND

PREPARED FOR
INSTALLER INFORMATION

DATE: 15/07/04 DRAWN: RC

REVISED:

DRAWING TITLE:

1 X 1 BUTTON TARGHA VIDEO ENTRY PANEL WITH
KEYPAD & 3 LYNEA MONITORS

DRAWING No: B-1T1Y3LK

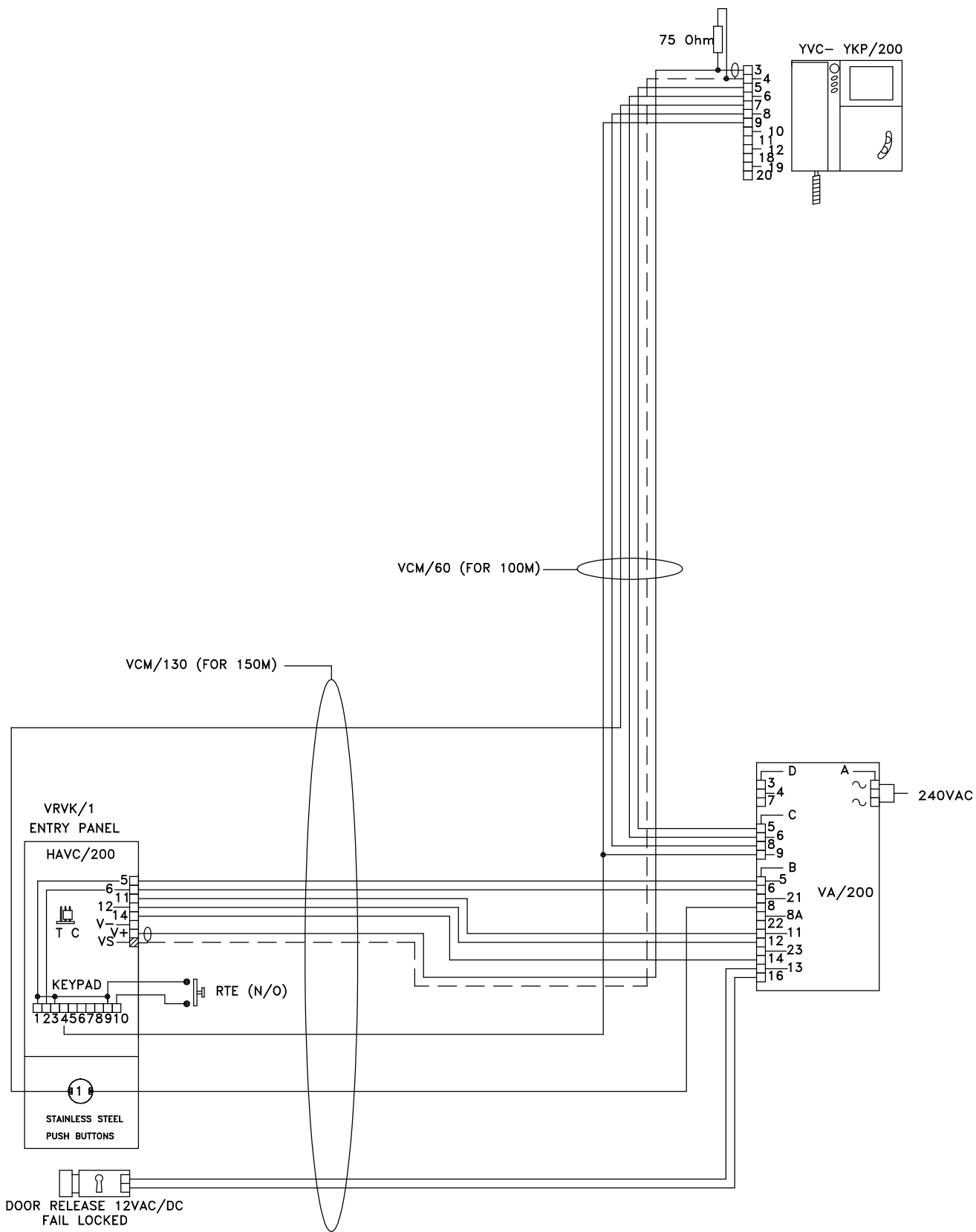
NOTE:
THIS DRAWING INDICATES AND ASSUMES THE USE OF
BPT COMPOSITE CABLES OR A SUITABLE EQUIVALENT.

ENSURE ALL ADDITIONAL CONNECTIONS ARE
A MINIMUM OF 0.5MM CSA PER CORE.

NOTE: CABLE EQUIVALENTS

VCM/130 = RG59 COAX + 4 CORES @ 1.0MMSQ + 8 CORES @ 0.5MMSQ

VCM/60 = RG59 COAX + 2 CORES @ 1.0MMSQ + 3 CORES @ 0.5MMSQ



BPT (UK) LTD.
HERTS. ENGLAND

PREPARED FOR
INSTALLER INFORMATION

DATE: 07/04/04
REVISED:

DRAWN: RC

DRAWING TITLE:

SINGLE HOUSE INSTALLATION USING 1 VR
VIDEO ENTRY PANEL WITH KEYPAD

DRAWING No: B-1V1Y1LK

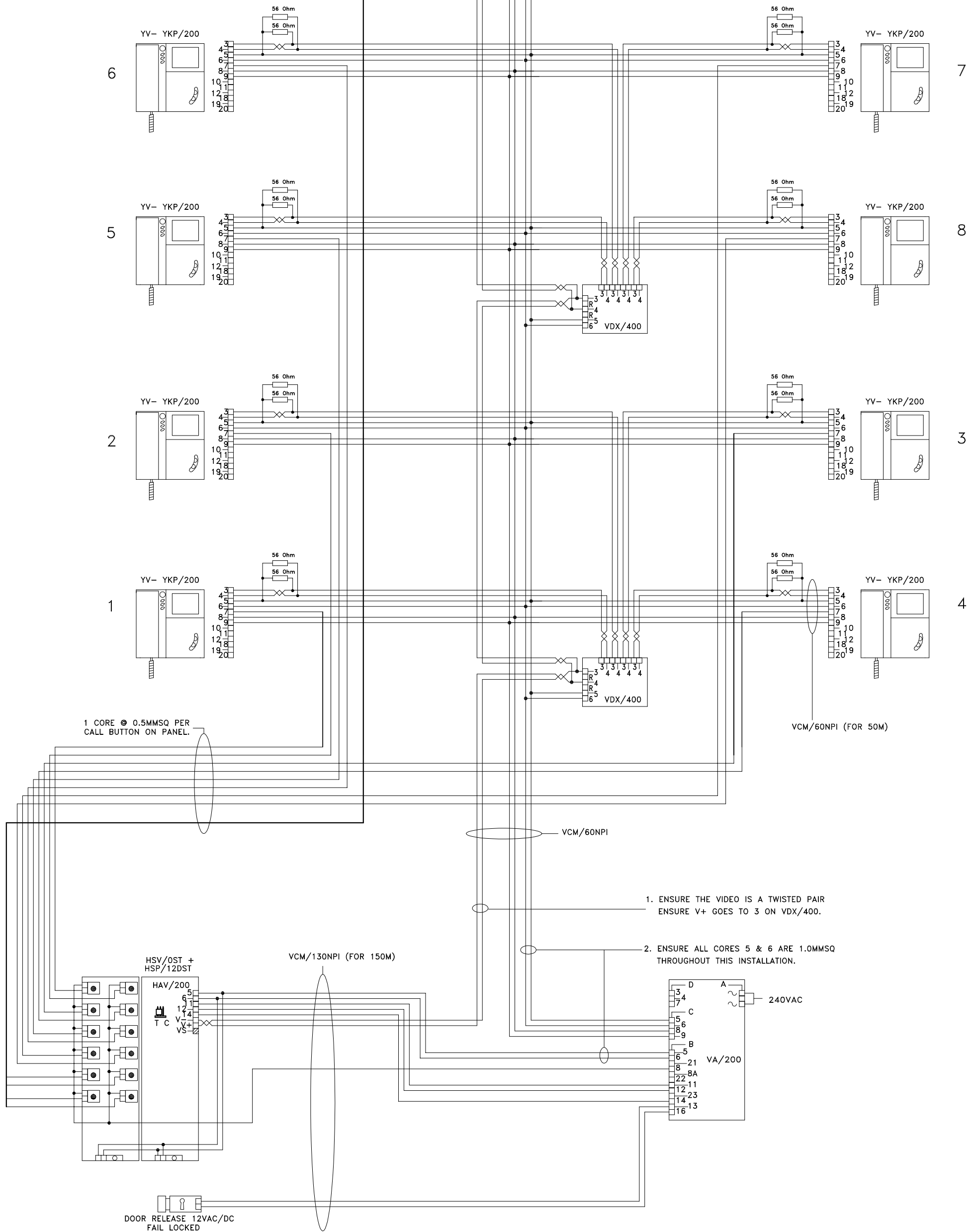
NOTE:
THIS DRAWING INDICATES AND ASSUMES THE USE OF
BPT COMPOSITE CABLES OR A SUITABLE EQUIVALENT.

ENSURE ALL ADDITIONAL CONNECTIONS ARE
A MINIMUM OF 0.5MM CSA PER CORE.

CALL LINES TO FURTHER
MONITORS

TO FURTHER MONITORS AND
VDX400'S AS REQUIRED

NOTE: ENSURE ON THE LAST VDX/400
LINKS 3-R & 4-R ARE MADE.



1 CORE @ 0.5MMSQ PER
CALL BUTTON ON PANEL.

VCM/60NPI (FOR 50M)

1. ENSURE THE VIDEO IS A TWISTED PAIR
ENSURE V+ GOES TO 3 ON VDX/400.

2. ENSURE ALL CORES 5 & 6 ARE 1.0MMSQ
THROUGHOUT THIS INSTALLATION.

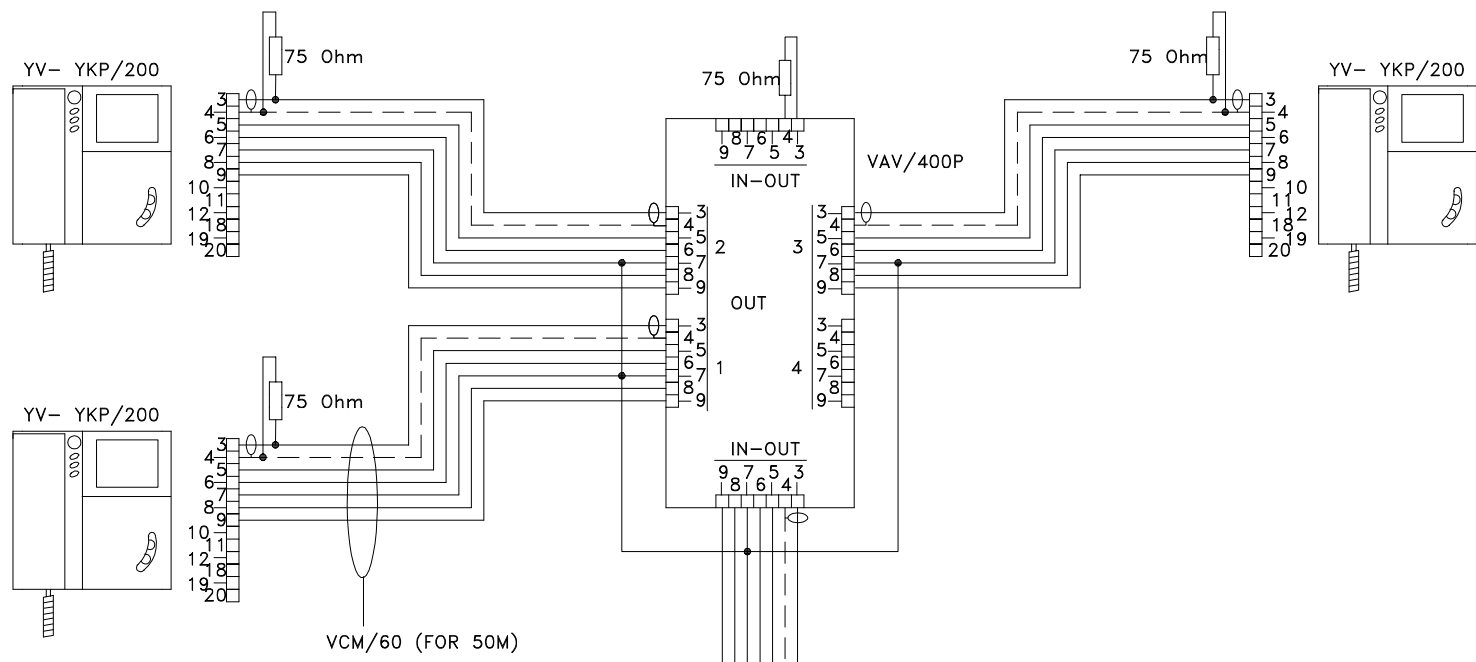
DOOR RELEASE 12VAC/DC
FAIL LOCKED

CABLE EQUIVALENTS

VCM/130NPI. = 4 CORES @ 1.0MMSQ + 10 CORES @ 0.5MMSQ (INCLUDING 1 TWISTED PAIR)

VCM/60NPI. = 2 CORES @ 1.0MMSQ + 8 CORES @ 0.5MMSQ (INCLUDING 1 TWISTED PAIR)

BPT (UK) LTD. HERTS. ENGLAND	PREPARED FOR INSTALLER INFORMATION	DATE: 02/02/06	DRAWN: RC
		REVISED:	
DRAWING TITLE:	MULTI-FLAT INSTALLATION USING 1 TARGHA VIDEO ENTRY PANEL WITH LYNEA MONITORS AND A TWISTED PAIR FOR VIDEO	DRAWING No: B-NT1YNL(TP)	



NOTE:
THIS DRAWING INDICATES AND ASSUMES THE USE OF
BPT COMPOSITE CABLES OR A SUITABLE EQUIVALENT.

ENSURE ALL ADDITIONAL CONNECTIONS ARE
A MINIMUM OF 0.5MM CSA PER CORE.

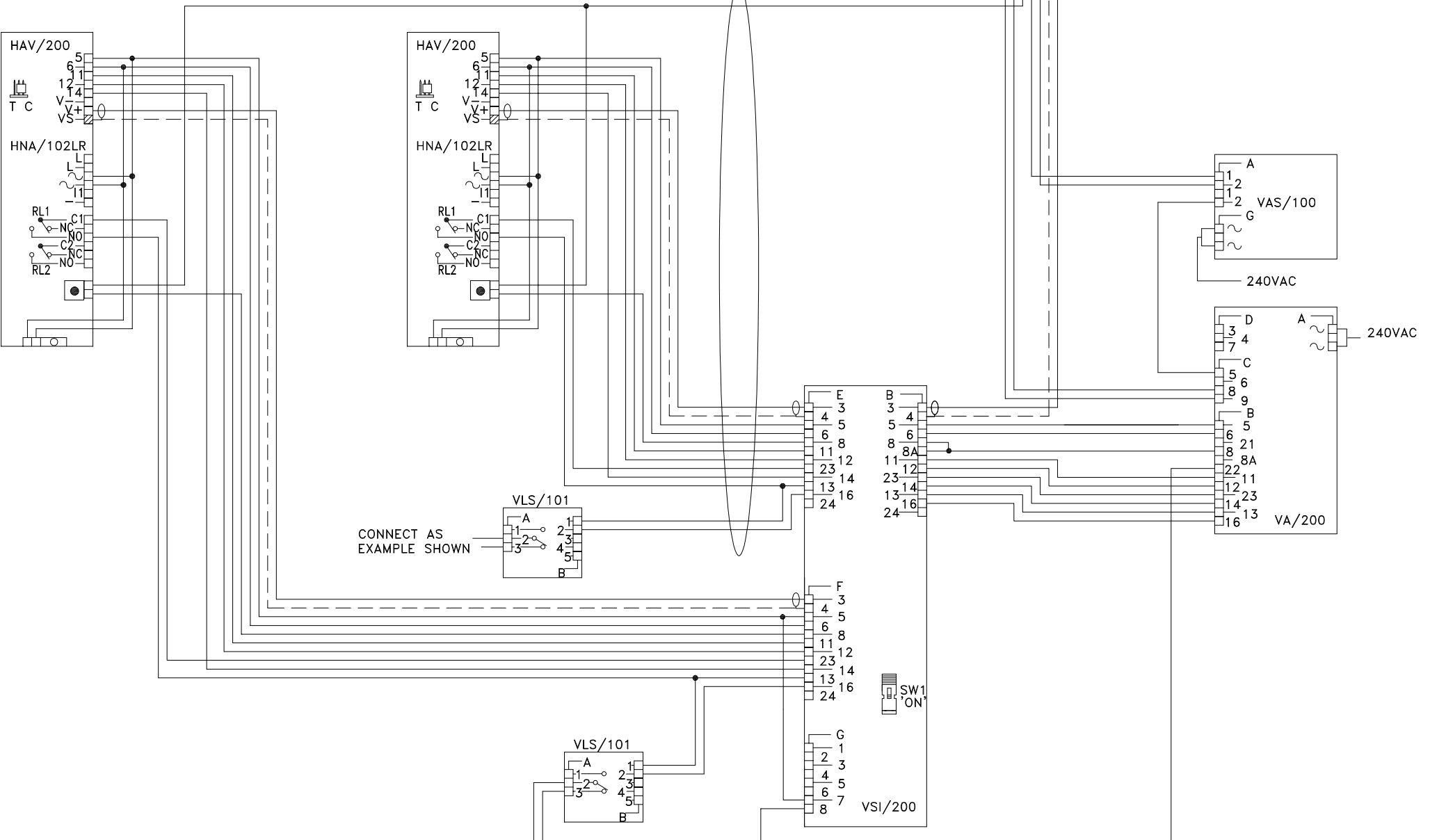
NOTE; CABLE EQUIVALENTS

VCM/130 = RG59 COAX + 4 CORES @ 1.0MMSQ + 8 CORES @ 0.5MMSQ

VCM/60 = RG59 COAX + 2 CORES @ 1.0MMSQ + 3 CORES @ 0.5MMSQ

VCM/60 (FOR 50M)

VCM/130 (FOR 150M)



EXAMPLE MAGLOCK CONNECTIONS

IT IS VERY IMPORTANT THAT A SUPPRESSION DEVICE BE FITTED
DIRECTLY ACROSS THE DC RELEASE SUPPLY LINES. IF THE
RELEASE IS NOT INTERNALLY SUPPRESSED USE A 1N4003



BPT (UK) LTD.
HERTS. ENGLAND

PREPARED FOR
INSTALLER INFORMATION

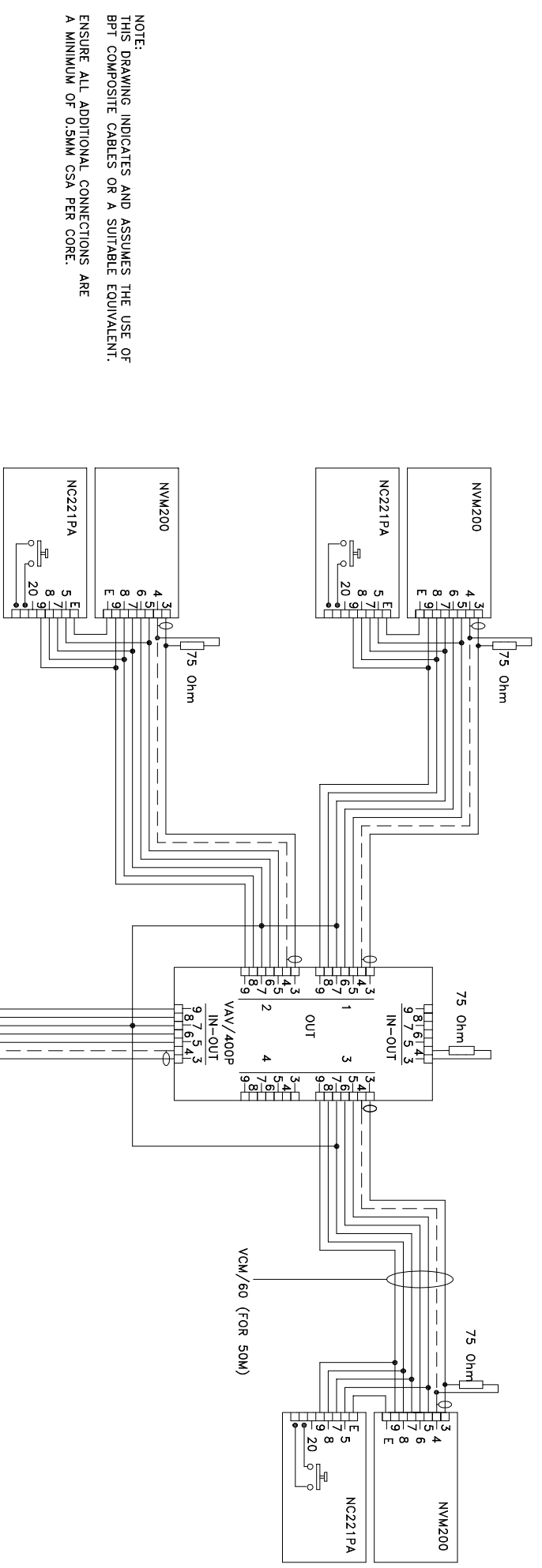
DATE: 11/05/07 DRAWN:RC

REVISED:

DRAWING TITLE:

SINGLE HOUSE INSTALLATION USING 2 TARGHA VIDEO ENTRY
PANELS WITH KEYPADS & 3 LYNEA MONITORS + MAGLOCKS

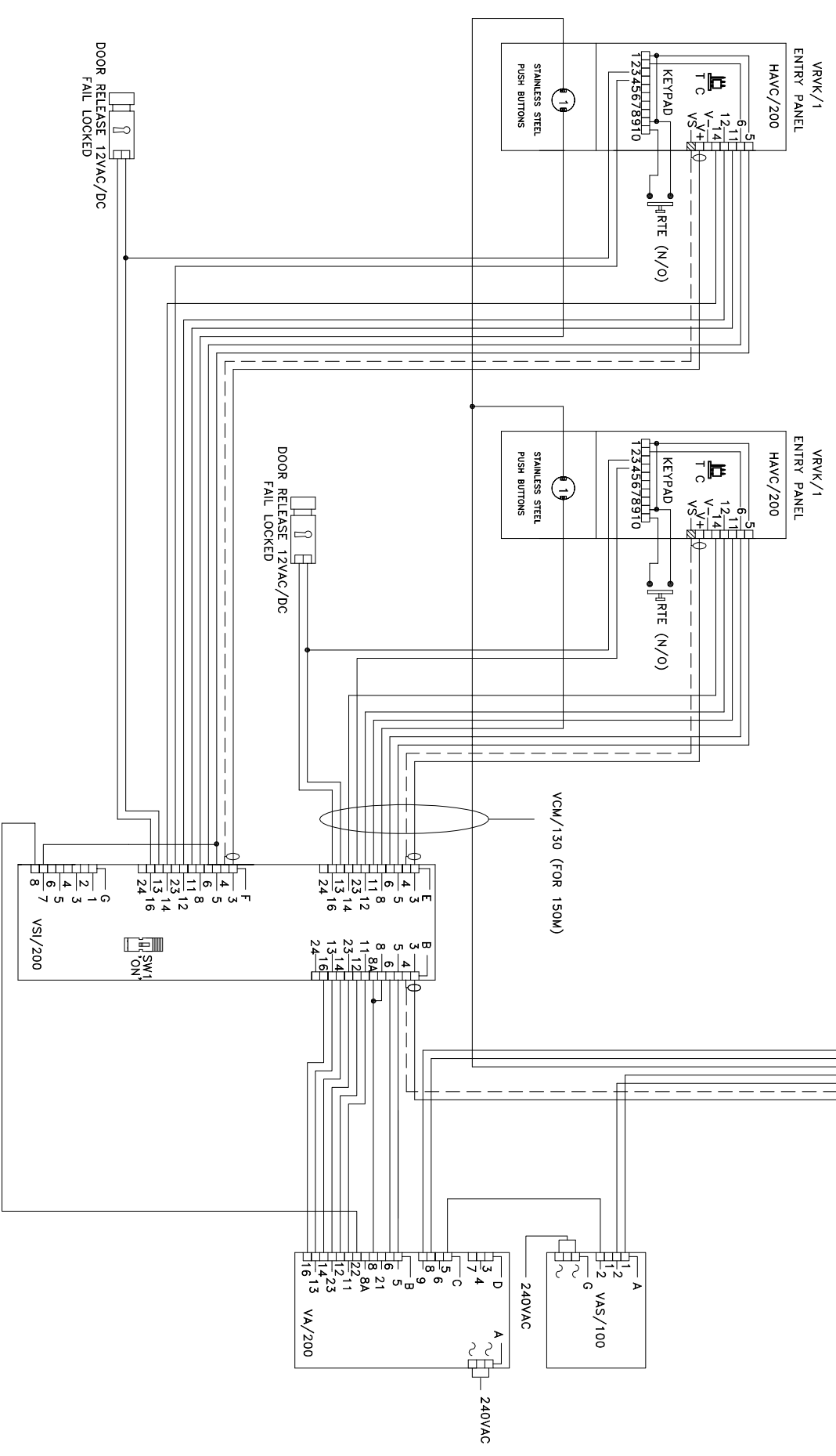
DRAWING No: B-1T2Y3UK



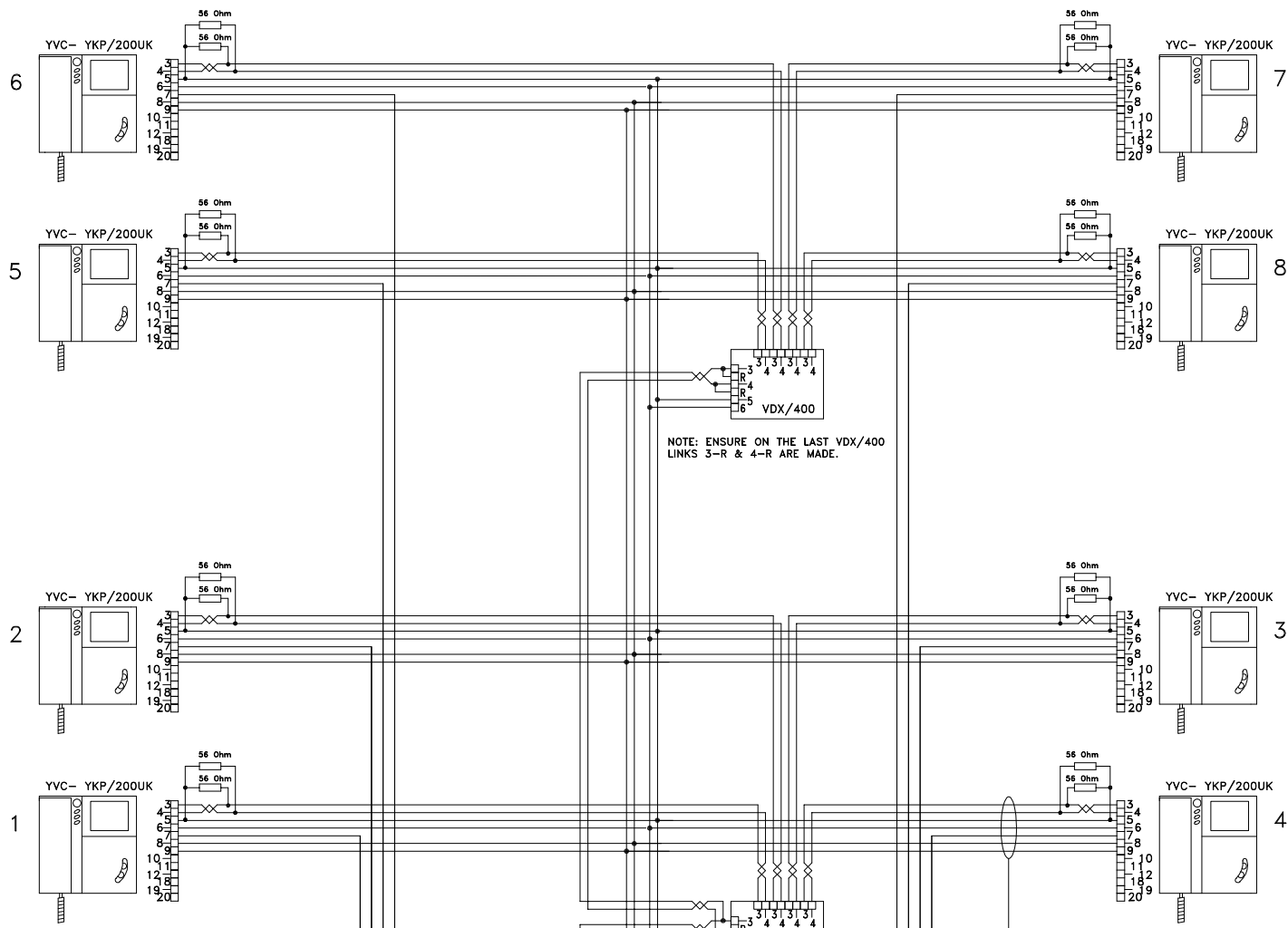
NOTE:
THIS DRAWING INDICATES AND ASSUMES THE USE OF
BPT COMPOSITE CABLES OR A SUITABLE EQUIVALENT.
ENSURE ALL ADDITIONAL CONNECTIONS ARE
A MINIMUM OF 0.5MM CSA PER CORE.

NOTE: CABLE EQUIVALENTS

VCM/130 = RG59 COAX + 4 CORES @ 1.0MMSQ + 8 CORES @ 0.5MMSQ
VCM/60 = RG59 COAX + 2 CORES @ 1.0MMSQ + 3 CORES @ 0.5MMSQ

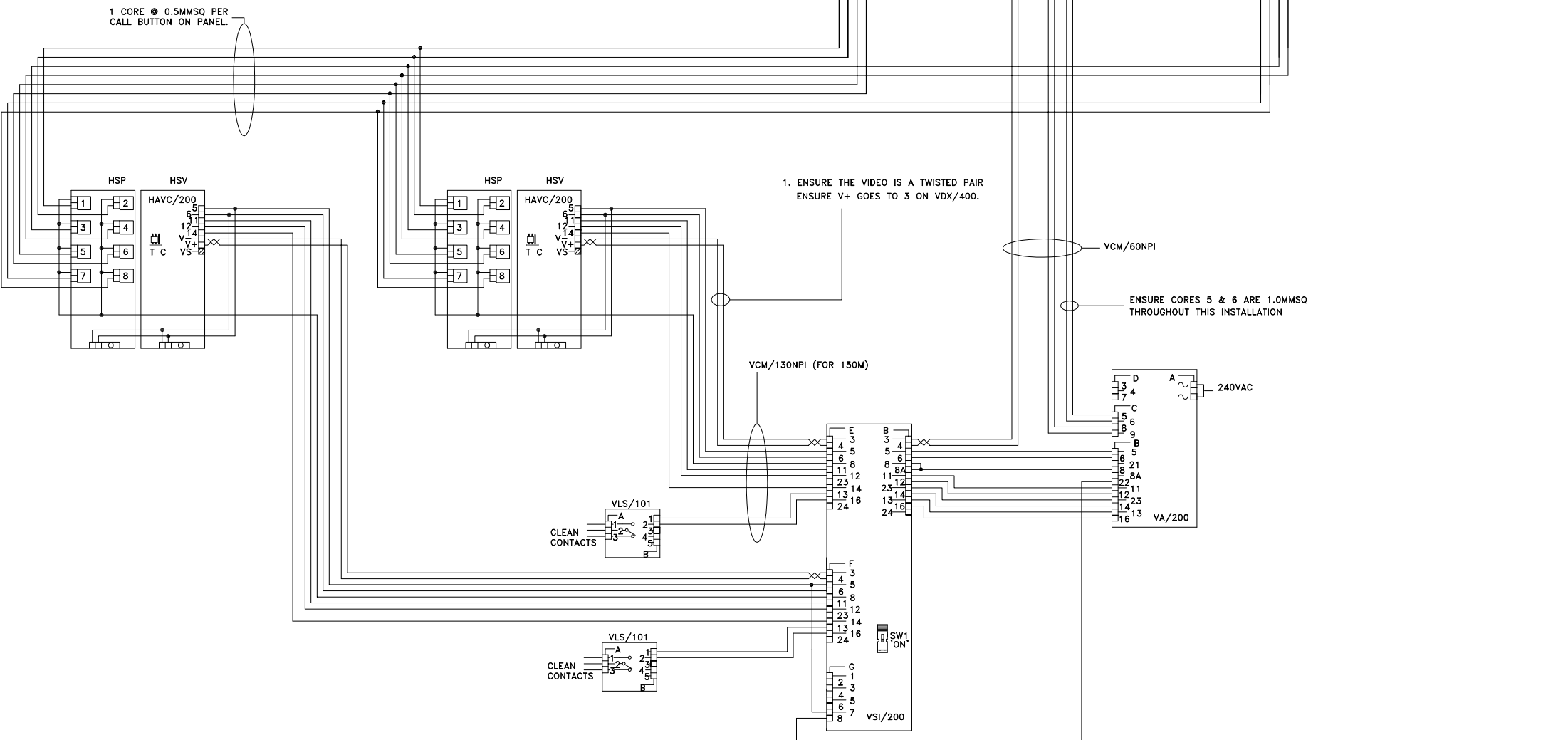


BPT (UK) LTD. HERTS. ENGLAND	PREPARED FOR	
	INSTALLER INFORMATION	
DRAWING TITLE: 2 X 1 BUTTON VR VIDEO ENTRY PANELS WITH KEYPADS AND 3 NOVA MONITORS	DATE: 17/05/04	DRAWN:RC
	REVISED:	
	DRAWING No: B-1V2N3LK	

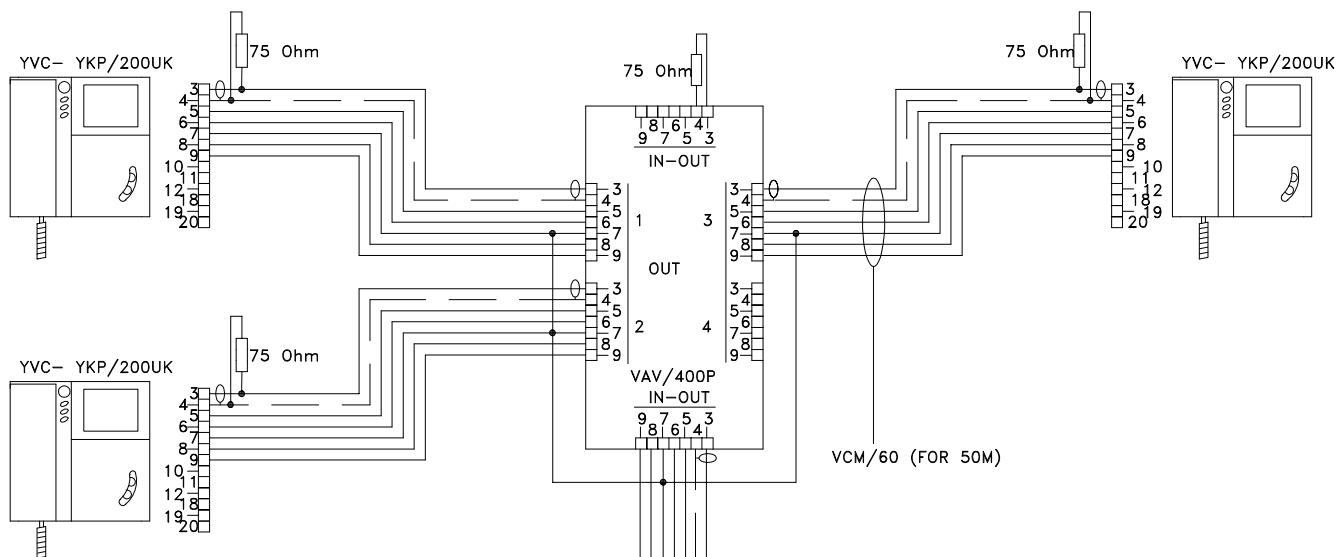


NOTE:
THIS DRAWING INDICATES AND ASSUMES THE USE OF
BPT COMPOSITE CABLES OR A SUITABLE EQUIVALENT.
ENSURE ALL ADDITIONAL CONNECTIONS ARE
A MINIMUM OF 0.5MM CSA PER CORE.

CABLE EQUIVALENTS
VCM/130NPI. = 4 CORES @ 1.0MMSQ + 10 CORES @ 0.5MMSQ (INCLUDING 1 TWISTED PAIR) (FOR 100M)
VCM/60NPI. = 2 CORES @ 1.0MMSQ + 8 CORES @ 0.5MMSQ (INCLUDING 1 TWISTED PAIR) (FOR 50M)



BPT (UK) LTD. HERTS. ENGLAND	PREPARED FOR INSTALLER INFORMATION	DATE: 10/10/06	DRAWN:RC
DRAWING TITLE: 2 X 8 BUTTON TARGHA VIDEO ENTRY PANELS & LYNEA MONITORS USING TWISTED PAIR VIDEO DISTRIBUTION		REVISED:	DRAWING No: B-8T2Y8C(TP)

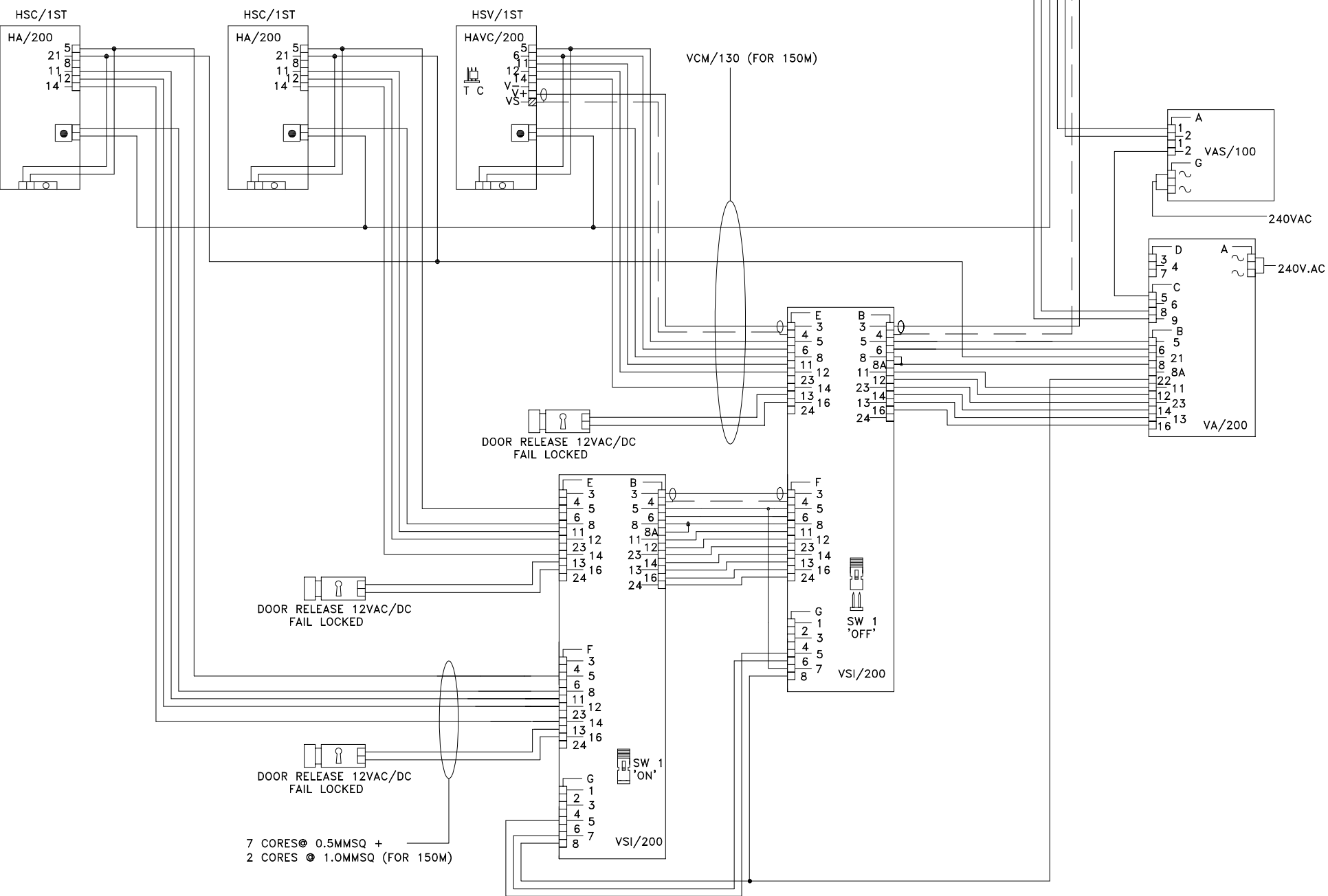


NOTE:
THIS DRAWING INDICATES AND ASSUMES THE USE OF
BPT COMPOSITE CABLES OR A SUITABLE EQUIVALENT.

ENSURE ALL ADDITIONAL CONNECTIONS ARE
A MINIMUM OF 0.5MM CSA PER CORE.

NOTE: CABLE EQUIVALENTS

VCM/130 = RG59 COAX + 4 CORES @ 1.0MMSQ + 8 CORES @ 0.5MMSQ
VCM/60 = RG59 COAX + 2 CORES @ 1.0MMSQ + 3 CORES @ 0.5MMSQ

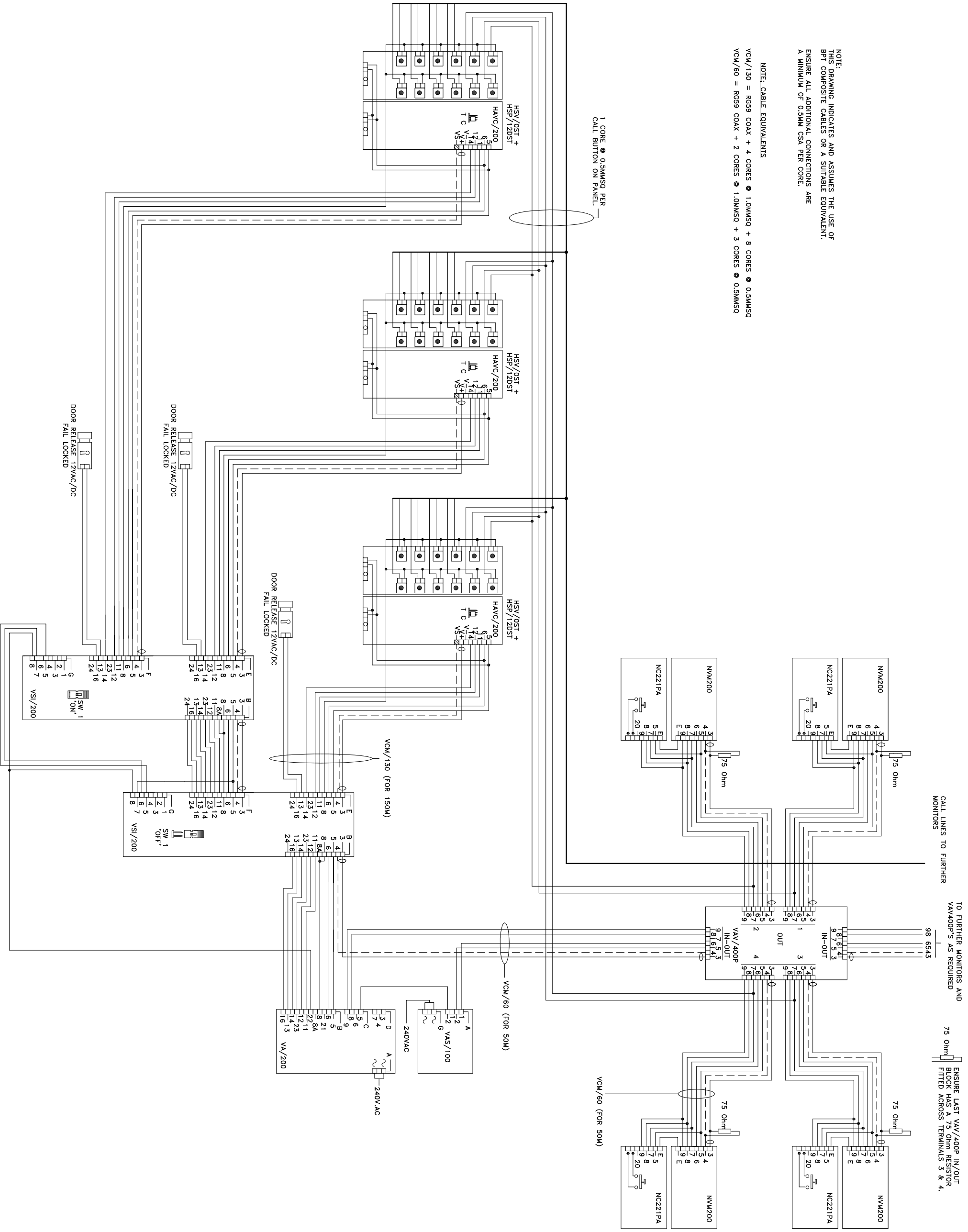


BPT (UK) LTD. HERTS. ENGLAND	PREPARED FOR INSTALLER INFORMATION	DATE: 13/12/04	DRAWN:RC
		REVISED:	
DRAWING TITLE:	SINGLE HOUSE INSTALLATION USING 1 TARGHA VIDEO & 2 AUDIO ENTRY PANELS WITH 3 LYNEA MONITORS		DRAWING No: B-1T3Y3L(B)

NOTE:
THIS DRAWING INDICATES AND ASSUMES THE USE OF
BPT COMPOSITE CABLES OR A SUITABLE EQUIVALENT.
ENSURE ALL ADDITIONAL CONNECTIONS ARE
A MINIMUM OF 0.5MM CSA PER CORE.

NOTE: CABLE EQUIVALENTS
VCM/130 = RG59 COAX + 4 CORES @ 1.0MMSQ + 8 CORES @ 0.5MMSQ
VCM/60 = RG59 COAX + 2 CORES @ 1.0MMSQ + 3 CORES @ 0.5MMSQ

1 CORE @ 0.5MMSQ PER
CALL BUTTON ON PANEL.



CALL LINES TO FURTHER
MONITORS

TO FURTHER MONITORS AND
VAV400P'S AS REQUIRED

75 Ohm
ENSURE LAST VAV/400P IN/OUT
BLOCK HAS 75 Ohm RESISTOR
FITTED ACROSS TERMINALS 3 & 4.

BPT (UK) LTD. HERTS, ENGLAND	PREPARED FOR INSTALLER INFORMATION	DATE: 29/06/05	DRAWN:RC
		REVISED:	
DRAWING TITLE: 3 X MULTI BUTTON TARGHA VIDEO ENTRY PANELS & NOVA MONITORS		DRAWING No.: B-NT3NNL	