

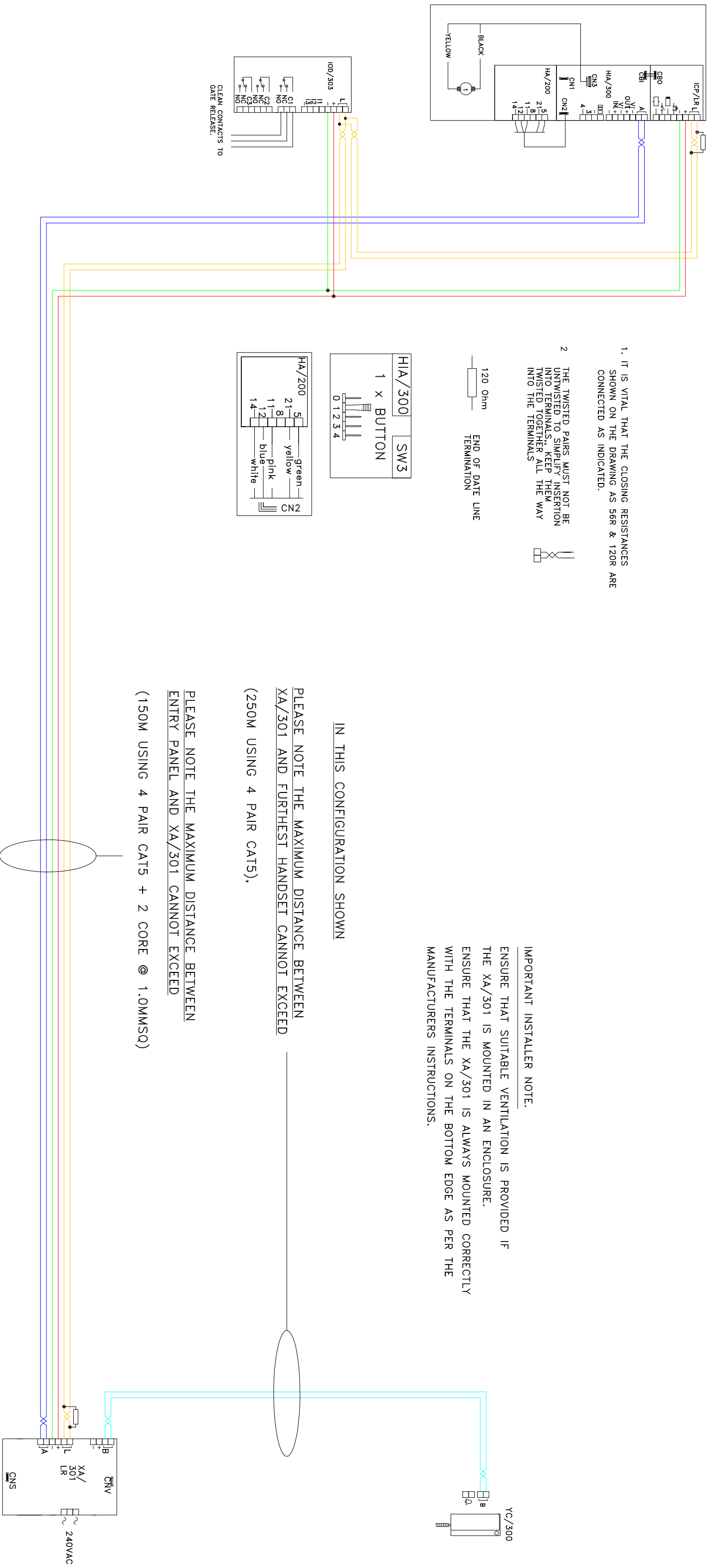
# System 300 Audio Installation Drawings.

Please click on your chosen drawing from the list below

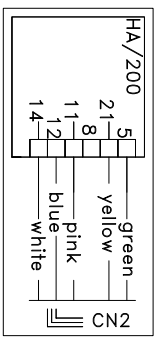
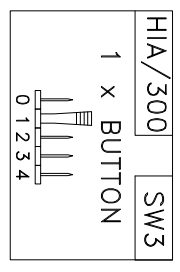
| Contents                                       | Page |
|--|------|
| <b>Single Entrance 1 Button Drawings</b>       |      |
| 1 Lynea Handset (Distance Upto 150M)           | 2    |
| 1 Lynea Handset (Distance 150M to 1000M)       | 3    |
| <b>Single Blocks</b>                           |      |
| 1 Digital Entrance with Trades & Lynea         | 4    |
| 1 Digital Entrance with Trades, Porter & Lynea | 5    |
| <b>Multiple Entrance</b>                       |      |
| 3 Digital Entrances with Trades & Lynea        | 6    |

issue 1.

AUDIO  
ENTRY PANEL



1. IT IS VITAL THAT THE CLOSING RESISTANCES SHOWN ON THE DRAWING AS 56R & 120R ARE CONNECTED AS INDICATED.
2. THE TWISTED PAIRS MUST NOT BE UNTWISTED TO SIMPLY INSERTION INTO TERMINALS, KEEP THEM TWISTED TOGETHER ALL THE WAY INTO THE TERMINALS



IN THIS CONFIGURATION SHOWN

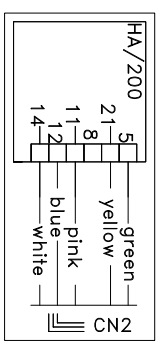
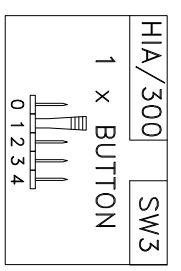
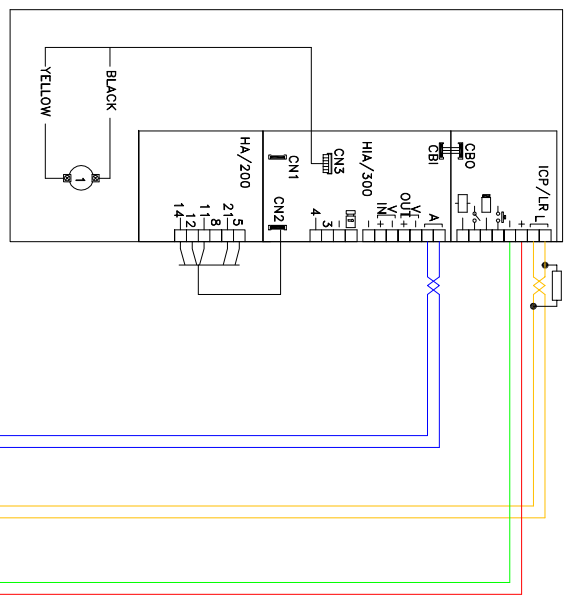
PLEASE NOTE THE MAXIMUM DISTANCE BETWEEN XA/301 AND FURTHEST HANDSET CANNOT EXCEED (250M USING 4 PAIR CAT5),

PLEASE NOTE THE MAXIMUM DISTANCE BETWEEN ENTRY PANEL AND XA/301 CANNOT EXCEED (150M USING 4 PAIR CAT5 + 2 CORE @ 1.0MMSQ)

IMPORTANT INSTALLER NOTE:  
ENSURE THAT SUITABLE VENTILATION IS PROVIDED IF THE XA/301 IS MOUNTED IN AN ENCLOSURE.  
ENSURE THAT THE XA/301 IS ALWAYS MOUNTED CORRECTLY WITH THE TERMINALS ON THE BOTTOM EDGE AS PER THE MANUFACTURERS INSTRUCTIONS.

|   |                       |                              |           |
|---|-----------------------|------------------------------|-----------|
| BPT (UK) LTD.<br>HERTS. ENGLAND   | PREPARED FOR          | DATE: 16/05/08               | DRAWN: RC |
|   | INSTALLER INFORMATION | REVISED:                     |           |
| DRAWING TITLE: 1 X 1 BUTTON AUDIO ENTRY PANEL (DIST. UPTO 150M) & 1 LYNEX HANDSET |                       | DRAWING No: C-111Y11(A)(AUD) |           |

AUDIO  
ENTRY PANEL



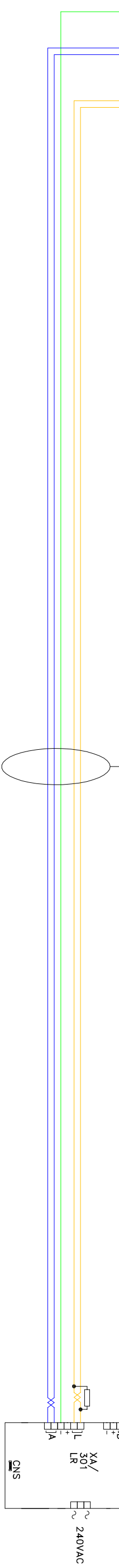
1. IT IS VITAL THAT THE CLOSING RESISTANCES SHOWN ON THE DRAWING AS 56R & 120R ARE CONNECTED AS INDICATED.
2. THE TWISTED PAIRS MUST NOT BE UNTWISTED TO SIMPLY INSERTION INTO TERMINALS,, KEEP THEM TWISTED TOGETHER ALL THE WAY INTO THE TERMINALS



IN THIS CONFIGURATION SHOWN

PLEASE NOTE THE MAXIMUM DISTANCE BETWEEN XA/301 AND FURTHEST HANDSET CANNOT EXCEED (250M USING 4 PAIR CAT5),  
PLEASE NOTE THE MAXIMUM DISTANCE BETWEEN ENTRY PANEL AND XA/301 CANNOT EXCEED (1000M USING 4 PAIR CAT5 + 1 CORE @ 1.0MMSQ)

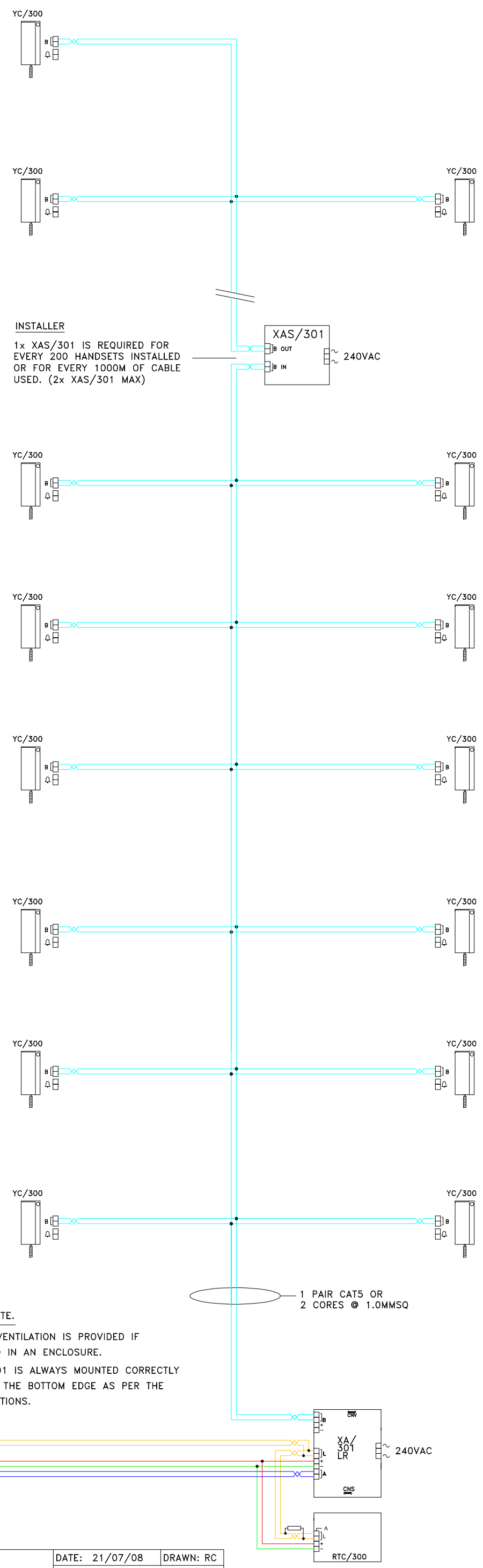
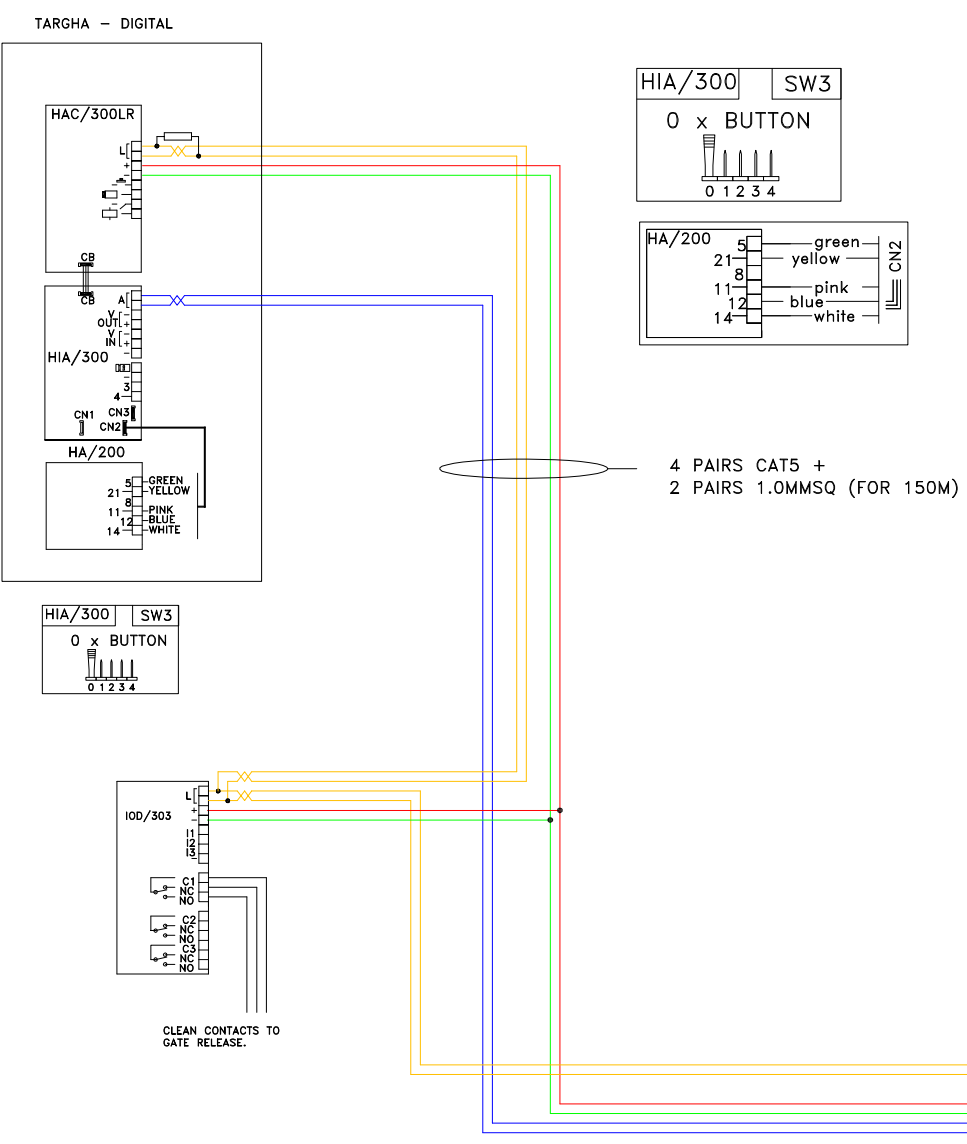
**IMPORTANT INSTALLER NOTE:**  
ENSURE THAT SUITABLE VENTILATION IS PROVIDED IF THE XA/301 IS MOUNTED IN AN ENCLOSURE.  
ENSURE THAT THE XA/301 IS ALWAYS MOUNTED CORRECTLY WITH THE TERMINALS ON THE BOTTOM EDGE AS PER THE MANUFACTURERS INSTRUCTIONS.



|  |                       |                           |           |
|--|-----------------------|---------------------------|-----------|
| BPT (UK) LTD.<br>HERTS. ENGLAND  | PREPARED FOR          | DATE: 26/03/08            | DRAWN: RC |
|  | INSTALLER INFORMATION | REVISED:                  |           |
| DRAWING TITLE:<br>1 X 1 BUTTON AUDIO ENTRY PANEL<br>(DST. 150M TO 1000M) & 1 LINEA HANDSET |                       | DRAWING No: C-1T1Y1C(AUD) |           |

# RISER DISTRIBUTION

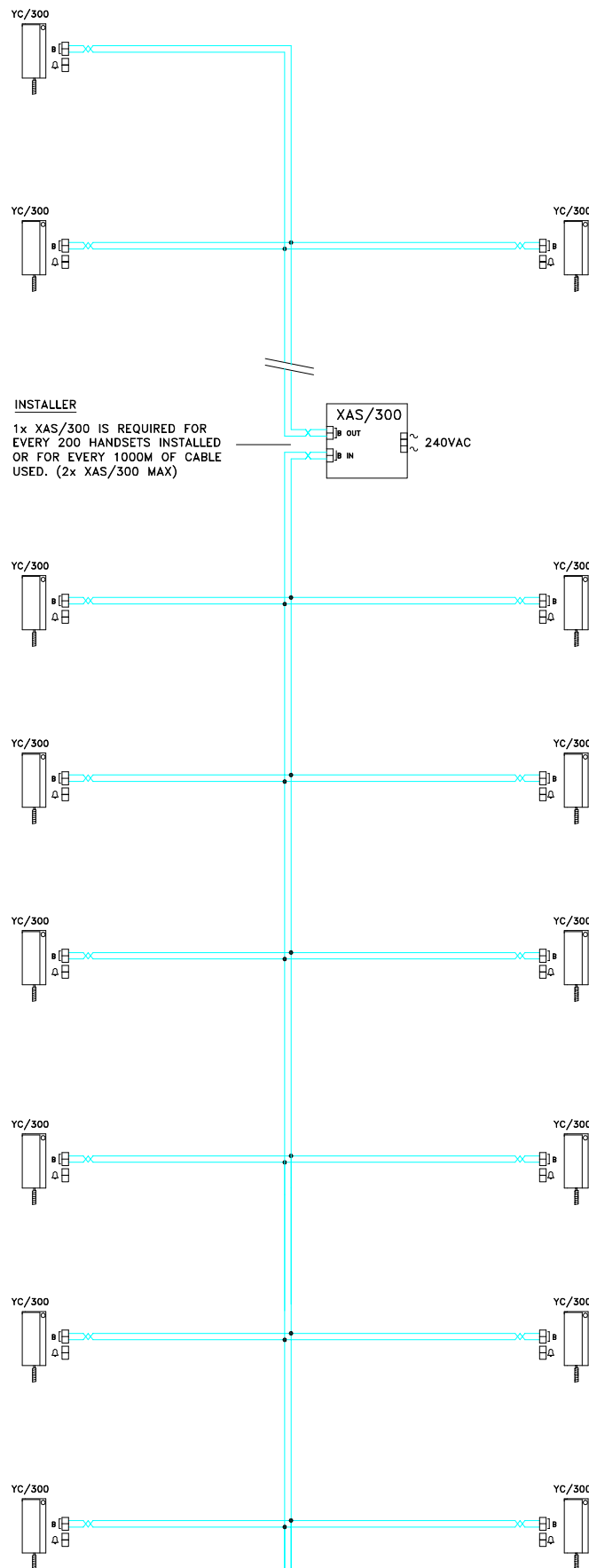
1. IT IS VITAL THAT THE CLOSING RESISTANCES SHOWN ON THE DRAWING AS 56R & 120R ARE CONNECTED AS INDICATED.
2. THE TWISTED PAIRS MUST NOT BE UNTWISTED TO SIMPLIFY INSERTION INTO TERMINALS., KEEP THEM TWISTED TOGETHER ALL THE WAY INTO THE TERMINALS



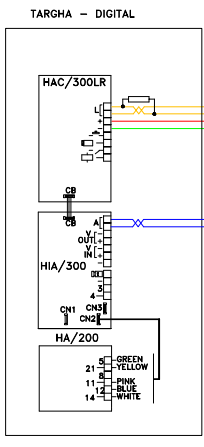
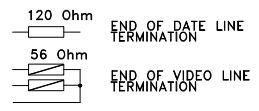
**IMPORTANT INSTALLER NOTE.**  
 ENSURE THAT SUITABLE VENTILATION IS PROVIDED IF THE XA/301 IS MOUNTED IN AN ENCLOSURE.  
 ENSURE THAT THE XA/301 IS ALWAYS MOUNTED CORRECTLY WITH THE TERMINALS ON THE BOTTOM EDGE AS PER THE MANUFACTURERS INSTRUCTIONS.

|   |                                       |                             |           |
|---|---------------------------------------|-----------------------------|-----------|
| BPT (UK) LTD.<br>HERTS. ENGLAND   | PREPARED FOR<br>INSTALLER INFORMATION | DATE: 21/07/08              | DRAWN: RC |
| DRAWING TITLE:  |                                       | REVISED:                    |           |
| 1 X SYSTEM 300 DIGITAL AUDIO ENTRY PANEL WITH TRADES & 200 LYNEA HANDSETS IN A SINGLE RISER |                                       | DRAWING No: C-XT1YNCTT(AUD) |           |

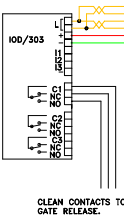
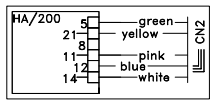
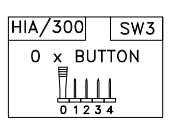
# RISER DISTRIBUTION



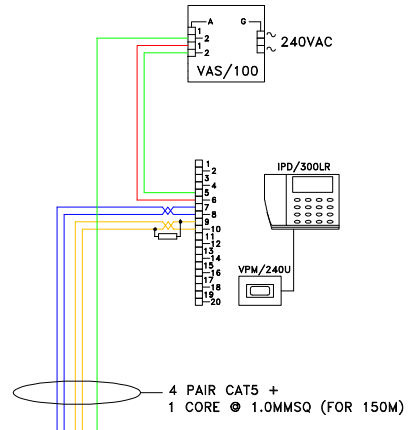
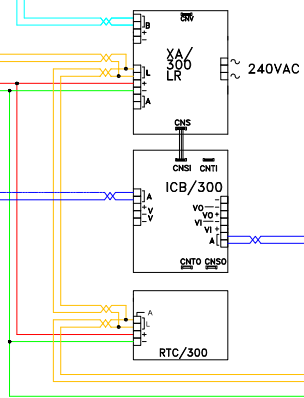
1. IT IS VITAL THAT THE CLOSING RESISTANCES SHOWN ON THE DRAWING AS 56R & 120R ARE CONNECTED AS INDICATED.
2. THE TWISTED PAIRS MUST NOT BE UNTWISTED TO SIMPLIFY INSERTION INTO TERMINALS., KEEP THEM TWISTED TOGETHER ALL THE WAY INTO THE TERMINALS



4 PAIRS CAT5 +  
2 PAIRS 1.0MMSQ (FOR 150M)



1 PAIR CAT5 OR  
2 CORES @ 1.0MMSQ

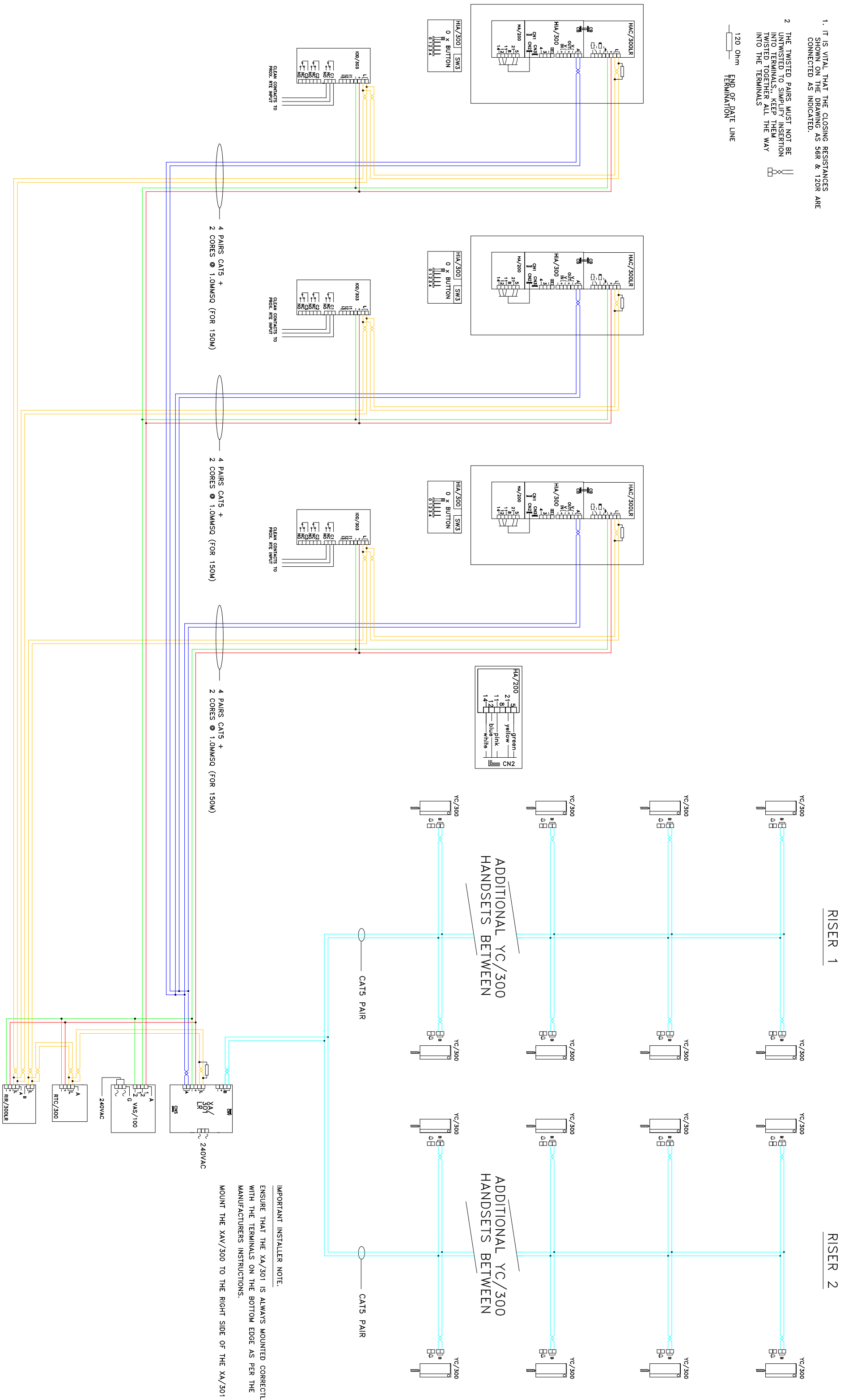


4 PAIR CAT5 +  
1 CORE @ 1.0MMSQ (FOR 150M)

|   |                                       |                |                                 |
|---|---------------------------------------|----------------|---------------------------------|
| BPT (UK) LTD.<br>HERTS. ENGLAND   | PREPARED FOR<br>INSTALLER INFORMATION | DATE: 03/02/09 | DRAWN: RC                       |
| DRAWING TITLE: 1 X SYSTEM 300 DIGITAL AUDIO ENTRY PANEL WITH TRADES, PORTER CALL & 200 LYNEA HANDSETS IN A SINGLE RISER |                                       | REVISED:       | DRAWING No: C-XT1YNCPTT(AUD)(A) |

- IT IS VITAL THAT THE CLOSING RESISTANCES SHOWN ON THE DRAWING AS SRR & 120R ARE CONNECTED AS INDICATED.
- THE TWISTED PAIRS MUST NOT BE UNTWISTED TO SIMPLIFY INSERTION INTO TERMINALS. KEEP THEM TWISTED TOGETHER ALL THE WAY INTO THE TERMINALS

120 Ohm END OF DATE LINE TERMINATION



4 PAIRS CATS +  
2 CORES @ 1.0MMSQ (FOR 150W)

4 PAIRS CATS +  
2 CORES @ 1.0MMSQ (FOR 150W)

4 PAIRS CATS +  
2 CORES @ 1.0MMSQ (FOR 150W)

ADDITIONAL YC/300  
HANDSETS BETWEEN

ADDITIONAL YC/300  
HANDSETS BETWEEN

**IMPORTANT INSTALLER NOTE.**  
ENSURE THAT THE XA/301 IS ALWAYS MOUNTED CORRECTLY WITH THE TERMINALS ON THE BOTTOM EDGE AS PER THE MANUFACTURERS INSTRUCTIONS.  
MOUNT THE XAV/300 TO THE RIGHT SIDE OF THE XA/301

|  |                       |                             |           |
|--|-----------------------|-----------------------------|-----------|
| BPT (UK) LTD.<br>HERTS. ENGLAND  | PREPARED FOR          | DATE: 14/06/10              | DRAWN: RC |
|  | INSTALLER INFORMATION | REVISED:                    |           |
| DRAWING TITLE: 3 X SYSTEM 300 DIGITAL AUDIO ENTRY PANELS WITH TRAIERS & LINA HANDSETS IN TWO RISERS. |                       | DRAWING No: C-XV3YNCCT(AUD) |           |