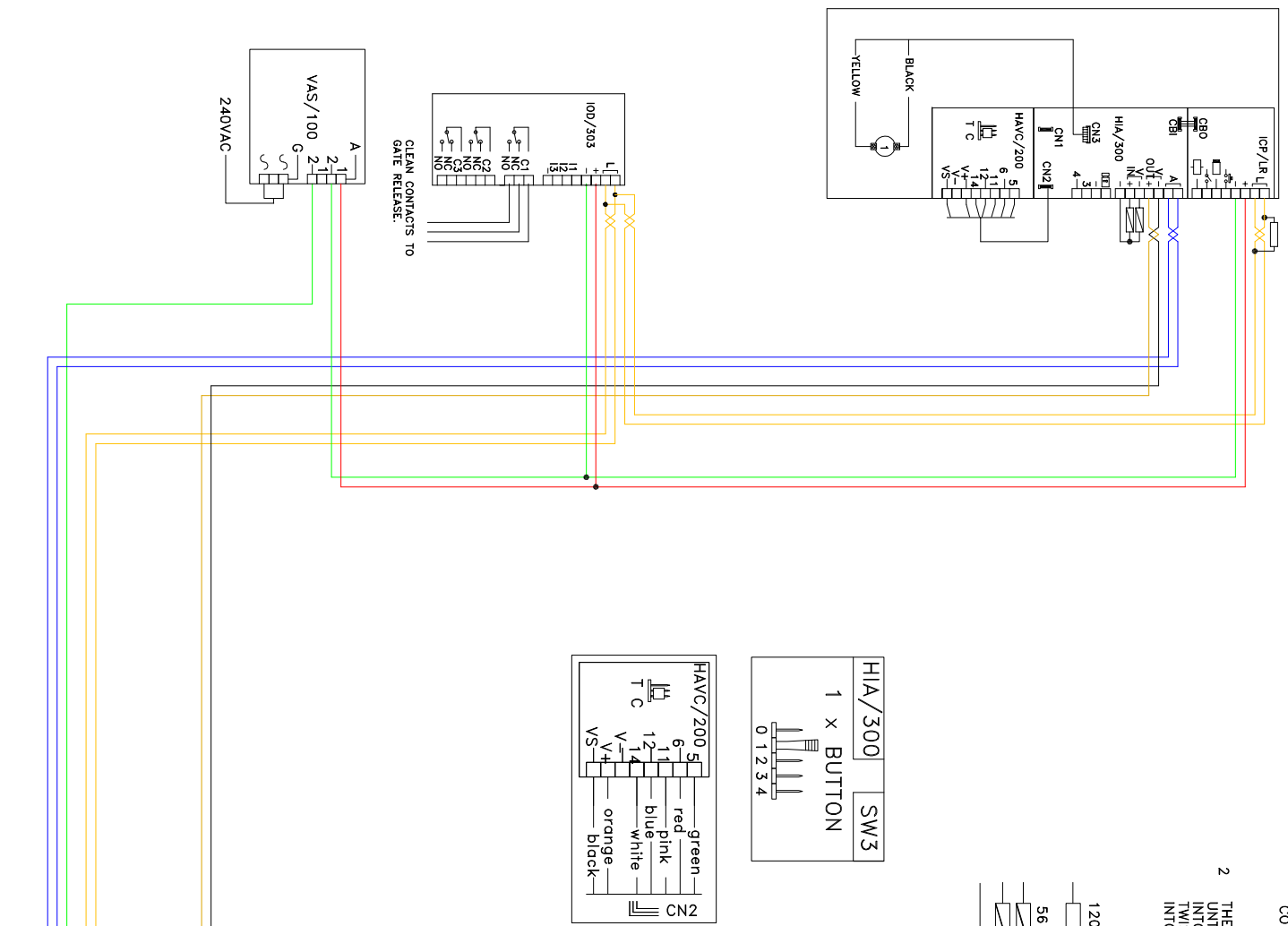


# System 300 Video Installation Drawings.

Please click on your chosen drawing from the list below

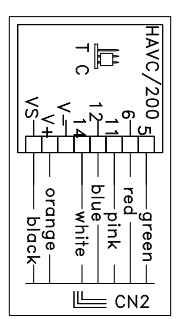
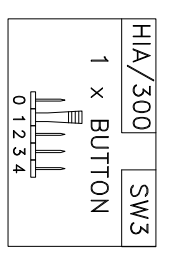
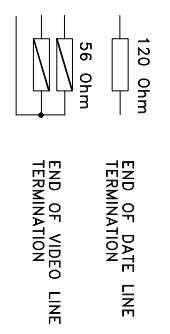
Contents	Page
<b>Single Entrance 1 Button Drawings</b>	
3 Ophera Monitors (Distance 150M to 400M)	2
3 Ophera Monitors (Distance 400M to 800M)	3
<b>Single Blocks, Multiple Monitors</b>	
1 Entrance, Trades & Mixed Monitors	4
1 Entrance, Trades, Porter & Mixed Monitors	5
<b>Multiple Entrances</b>	
3 Entrances with Trades & Lynea in two Risers	6

issue 1.



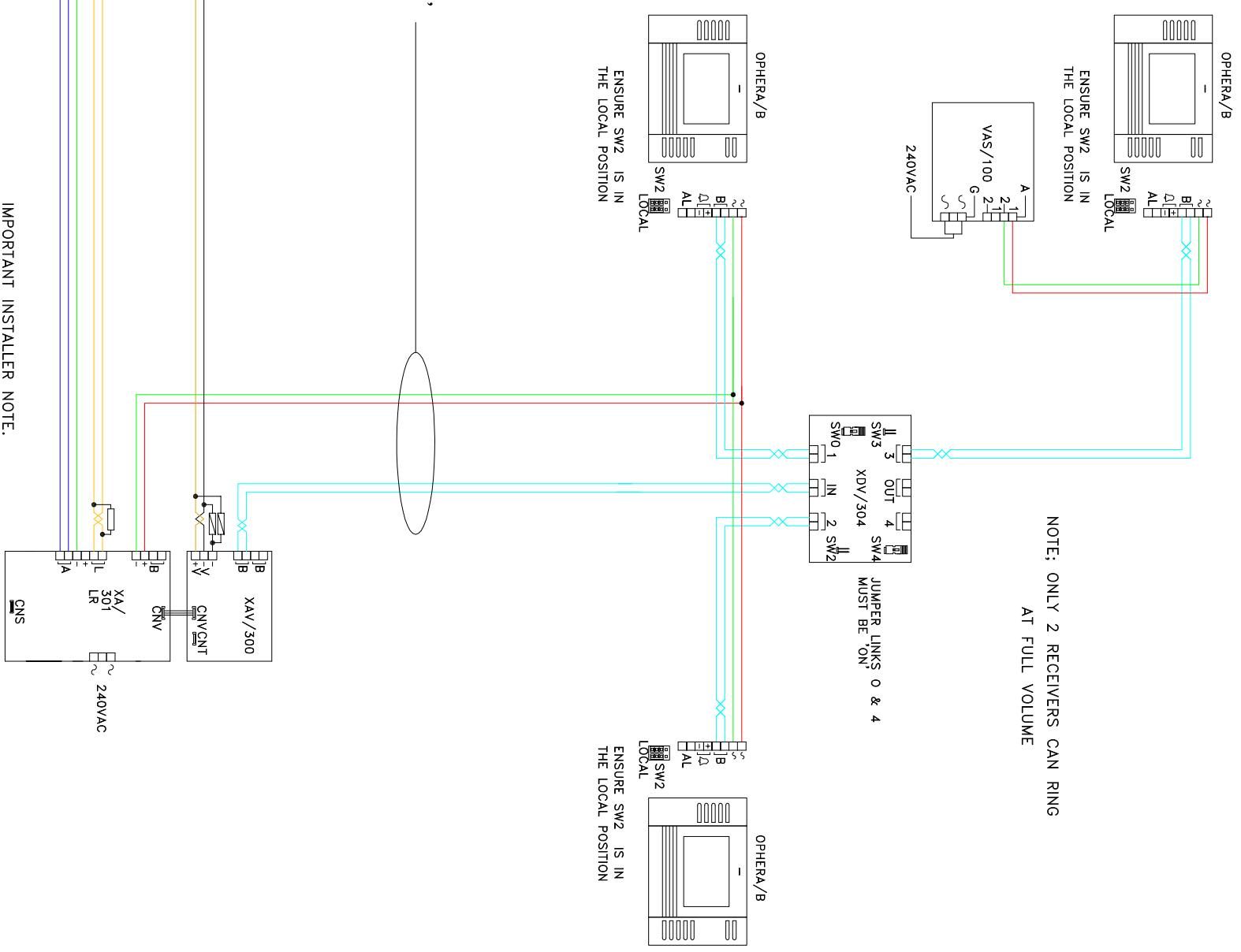
1. IT IS VITAL THAT THE CLOSING RESISTANCES SHOWN ON THE DRAWING AS 56R & 120R ARE CONNECTED AS INDICATED.

2. THE TWISTED PAIRS MUST NOT BE UNTWISTED TO SIMPLY INSERTION INTO TERMINALS. KEEP THEM TWISTED TOGETHER ALL THE WAY INTO THE TERMINALS



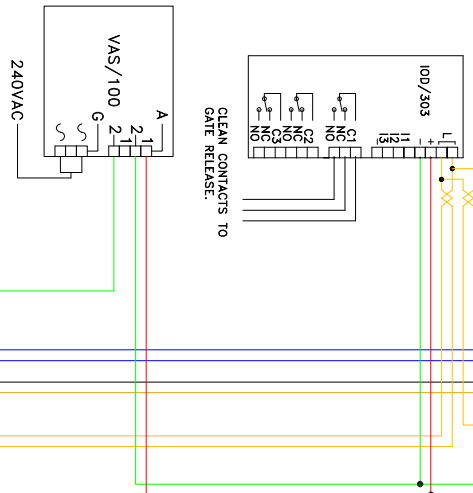
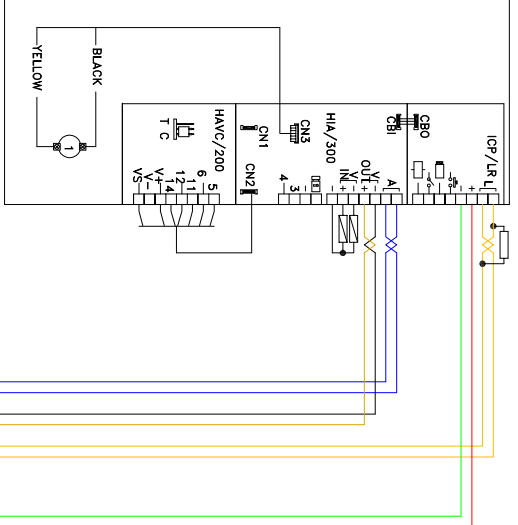
IN THIS CONFIGURATION SHOWN  
 PLEASE NOTE THE MAXIMUM DISTANCE BETWEEN XA/300 AND FURTHEST MONITOR CANNOT EXCEED (100M USING 4 PAIR CAT5 + 2 CORES @ 1.0MMSQ),  
 PLEASE NOTE THE MAXIMUM DISTANCE BETWEEN ENTRY PANEL AND XA/300 CANNOT EXCEED (400M USING 4 PAIR CAT5 + 1 CORE @ 1.0MMSQ)

BPT (UK) LTD. HERTS. ENGLAND	PREPARED FOR INSTALLER INFORMATION	DATE: 04/10/07	DRAWN:RC
DRAWING TITLE: 1 X 1 BUTTON TARGHA VIDEO ENTRY PANEL (DIST.150M TO 400M) & 3 OPHERA MONITORS		REVISED:	DRAWING No: C-111P3C(A)

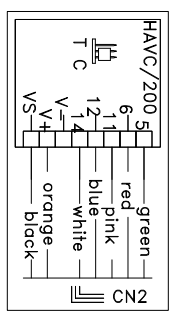
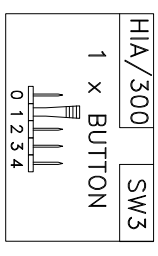
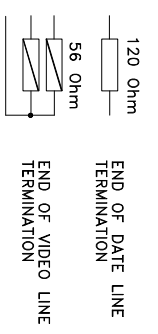


NOTE: ONLY 2 RECEIVERS CAN RING AT FULL VOLUME

IMPORTANT INSTALLER NOTE:  
 ENSURE THAT SUITABLE VENTILATION IS PROVIDED IF THE XA/301 IS MOUNTED IN AN ENCLOSURE.  
 ENSURE THAT THE XA/301 IS ALWAYS MOUNTED CORRECTLY WITH THE TERMINALS ON THE BOTTOM EDGE AS PER THE MANUFACTURERS INSTRUCTIONS.  
 MOUNT THE XAV/300 TO THE RIGHT SIDE OF THE XA/301



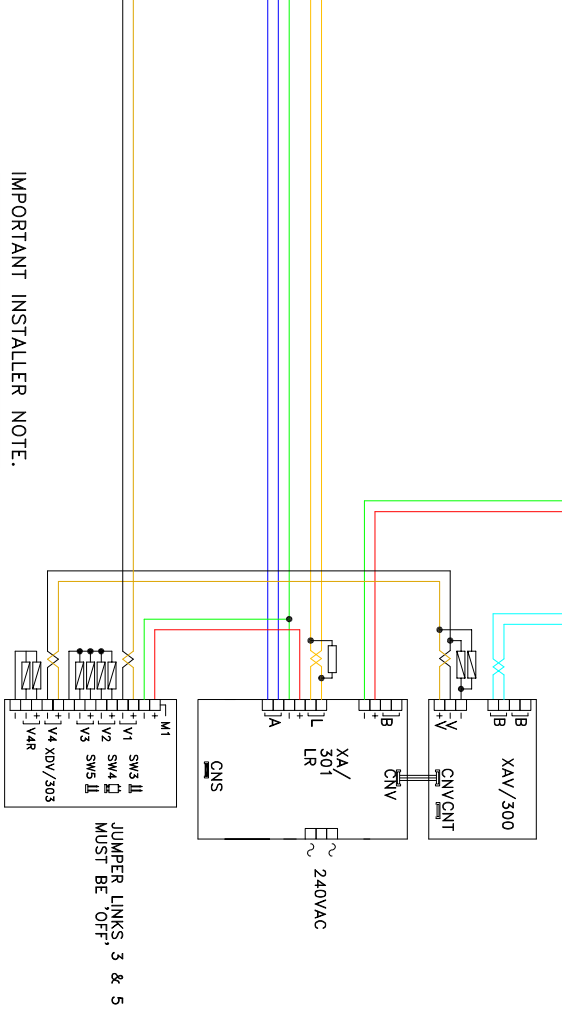
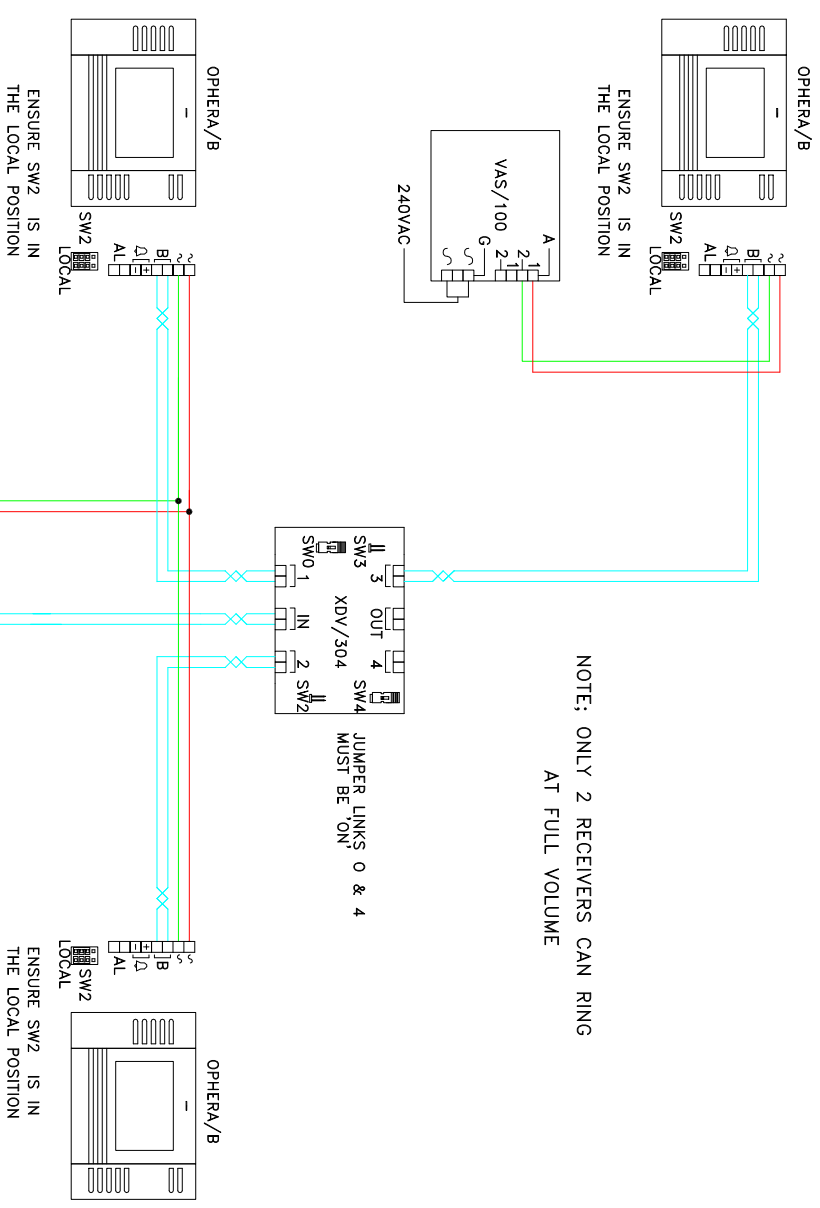
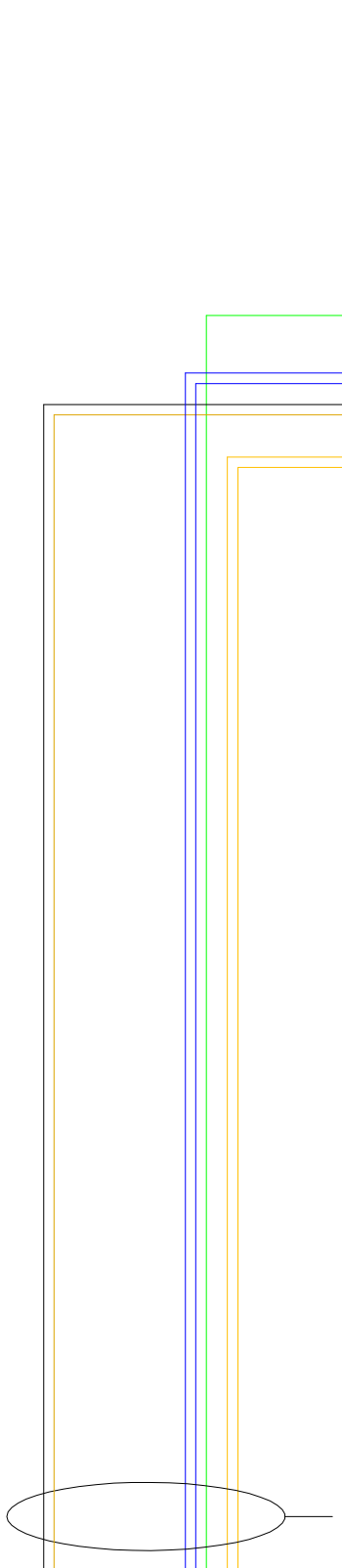
1. IT IS VITAL THAT THE CLOSING RESISTANCES SHOWN ON THE DRAWING AS 56R & 120R ARE CONNECTED AS INDICATED.
2. THE TWISTED PAIRS MUST NOT BE UNTWISTED TO SIMPLY INSERTION INTO TERMINALS. KEEP THEM TWISTED TOGETHER ALL THE WAY INTO THE TERMINALS



IN THIS CONFIGURATION SHOWN

PLEASE NOTE THE MAXIMUM DISTANCE BETWEEN XA/300 AND FURTHEST MONITOR CANNOT EXCEED (100M USING 4 PAIR CATS + 2 CORES @ 1.0MMSQ),

PLEASE NOTE THE MAXIMUM DISTANCE BETWEEN ENTRY PANEL AND XA/300 CANNOT EXCEED (800M USING 4 PAIR CATS + 1 CORE @ 1.0MMSQ)

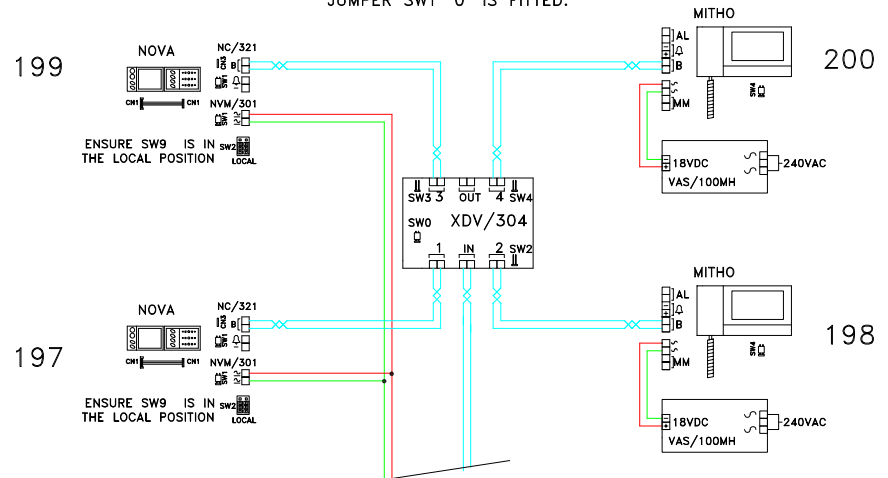


**IMPORTANT INSTALLER NOTE.**  
 ENSURE THAT SUITABLE VENTILATION IS PROVIDED IF THE XA/301 IS MOUNTED IN AN ENCLOSURE.  
 ENSURE THAT THE XA/301 IS ALWAYS MOUNTED CORRECTLY WITH THE TERMINALS ON THE BOTTOM EDGE AS PER THE MANUFACTURERS INSTRUCTIONS.  
 MOUNT THE XAV/300 TO THE RIGHT SIDE OF THE XA/301

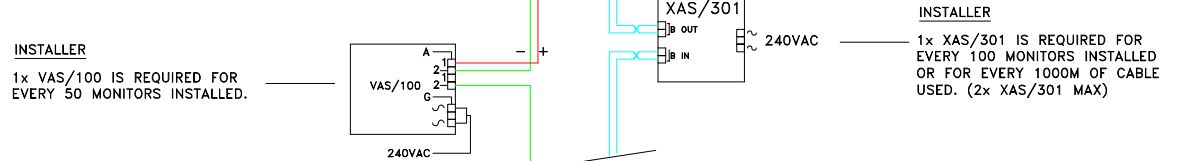
BPT (UK) LTD. HERTS. ENGLAND	PREPARED FOR	DATE: 04/10/07	DRAWN:RC
	INSTALLER INFORMATION	REVISED:	
DRAWING TITLE:	1 X 1 BUTTON VIDEO ENTRY PANEL (DIST. 400M TO 800M) & 3 OPHERA MONITORS		
	DRAWING No: C-111P3C(B)		

# RISER DISTRIBUTION

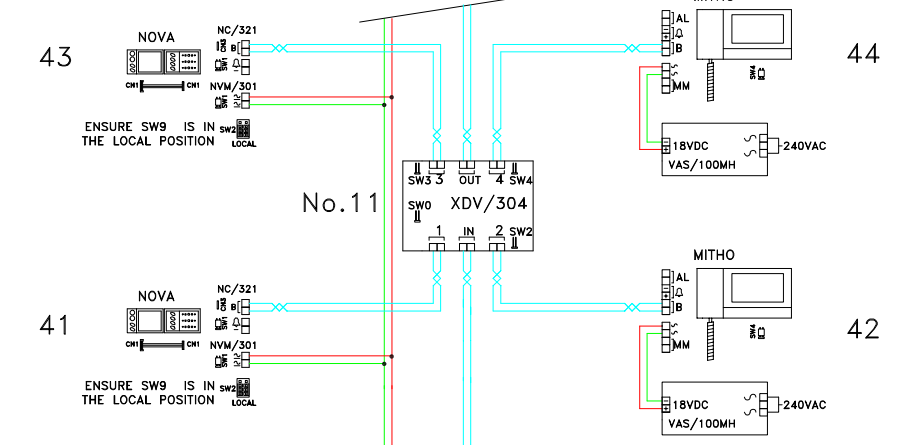
ENSURE ON THE LAST XDV/304 JUMPER SWT '0' IS FITTED.



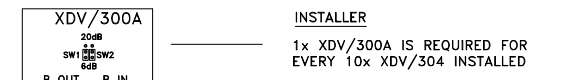
## DISTRIBUTORS BETWEEN



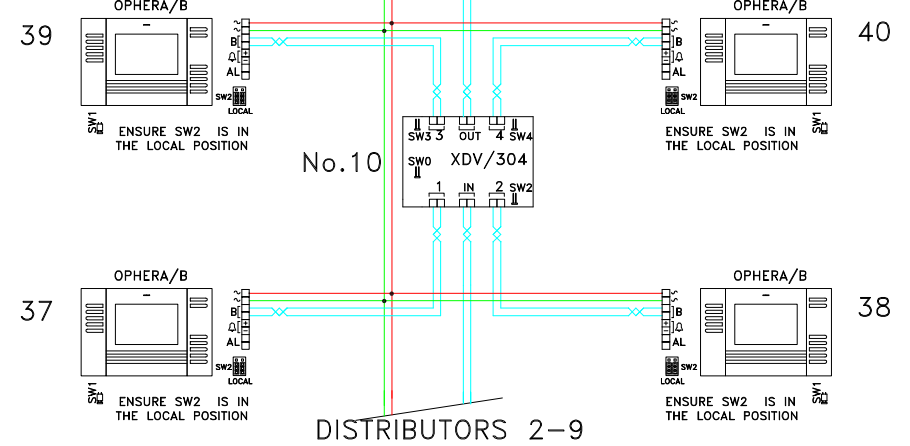
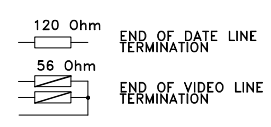
## DISTRIBUTORS BETWEEN



No. 11

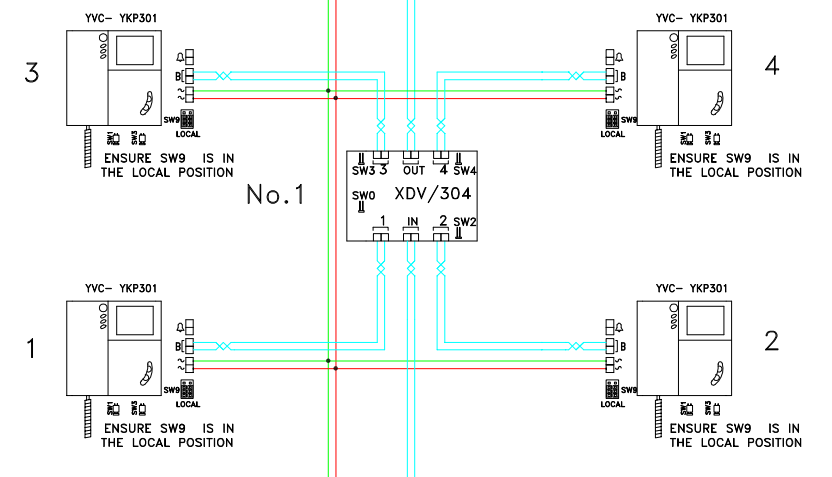


1. IT IS VITAL THAT THE CLOSING RESISTANCES SHOWN ON THE DRAWING AS 56R & 120R ARE CONNECTED AS INDICATED.
2. THE TWISTED PAIRS MUST NOT BE UNTWISTED TO SIMPLIFY INSERTION INTO TERMINALS. KEEP THEM TWISTED TOGETHER ALL THE WAY INTO THE TERMINALS



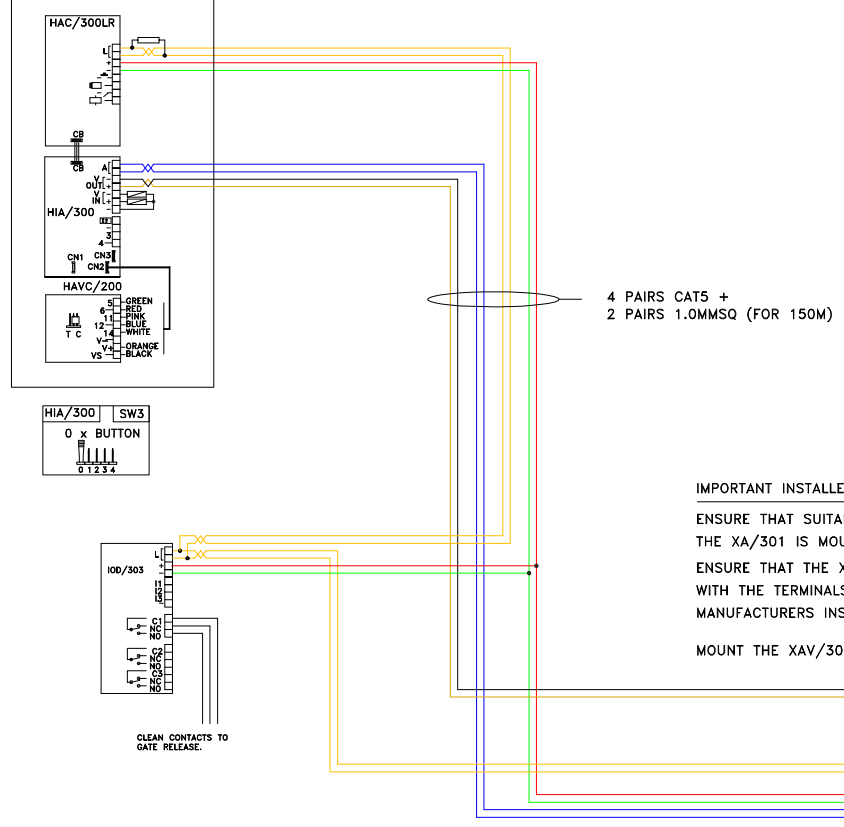
No. 10

## DISTRIBUTORS 2-9



No. 1

### DIGITAL VIDEO ENTRY PANEL

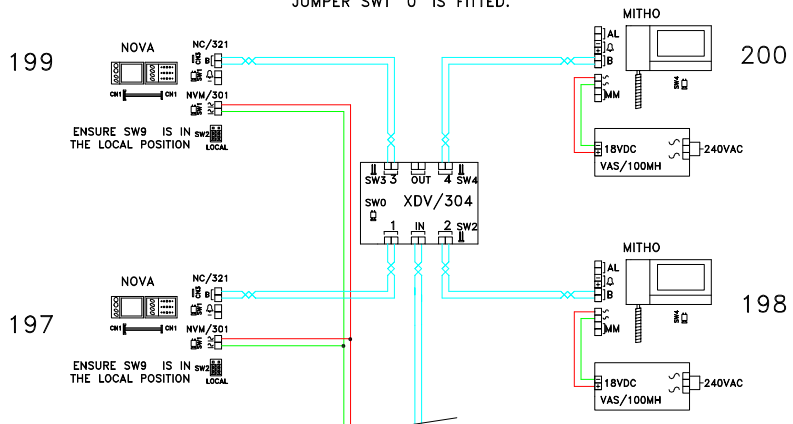


IMPORTANT INSTALLER NOTE.  
ENSURE THAT SUITABLE VENTILATION IS PROVIDED IF THE XA/301 IS MOUNTED IN AN ENCLOSURE.  
ENSURE THAT THE XA/301 IS ALWAYS MOUNTED CORRECTLY WITH THE TERMINALS ON THE BOTTOM EDGE AS PER THE MANUFACTURERS INSTRUCTIONS.  
MOUNT THE XAV/300 TO THE RIGHT SIDE OF THE XA/301

BPT (UK) LTD. HERTS. ENGLAND	PREPARED FOR INSTALLER INFORMATION	DATE: 14/06/10 REVISED:	DRAWN: RC
DRAWING TITLE:	1 X SYSTEM 300 DIGITAL VIDEO ENTRY PANEL WITH TRADES & 200 MIXED MONITORS IN A SINGLE RISER		DRAWING No: C-XT1YNPQNCT

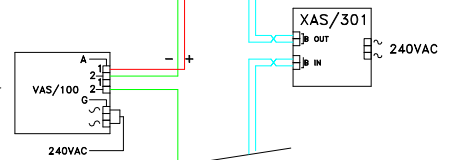
**RISER DISTRIBUTION**

ENSURE ON THE LAST XDV/304 JUMPER SWT '0' IS FITTED.



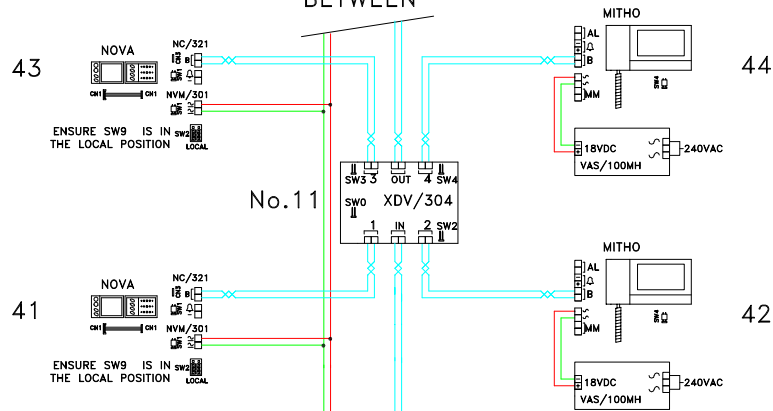
**DISTRIBUTORS BETWEEN**

INSTALLER  
1x VAS/100 IS REQUIRED FOR EVERY 50 MONITORS INSTALLED.

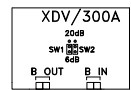


INSTALLER  
1x XAS/301 IS REQUIRED FOR EVERY 100 MONITORS INSTALLED OR FOR EVERY 1000M OF CABLE USED. (2x XAS/301 MAX)

**DISTRIBUTORS BETWEEN**

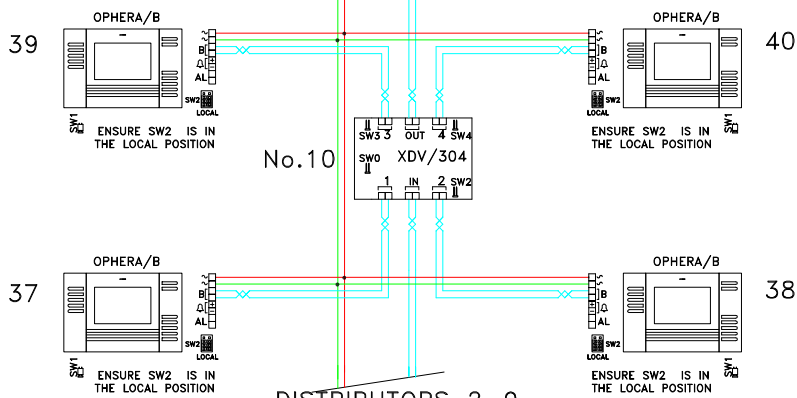


No. 11



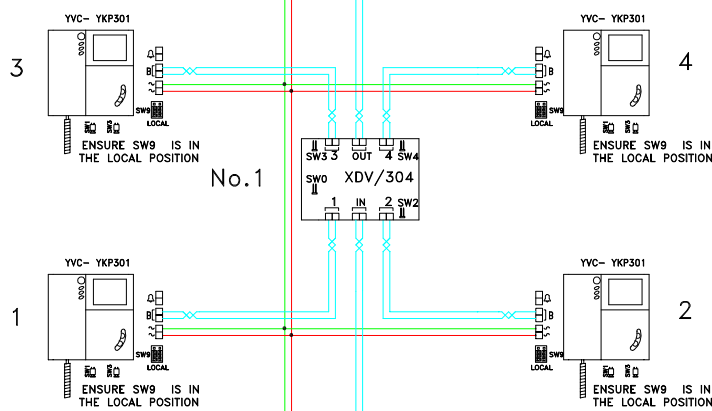
INSTALLER  
1x XDV/300A IS REQUIRED FOR EVERY 10x XDV/304 INSTALLED

**DISTRIBUTORS BETWEEN**



No. 10

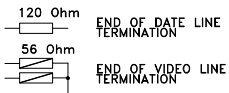
**DISTRIBUTORS 2-9**



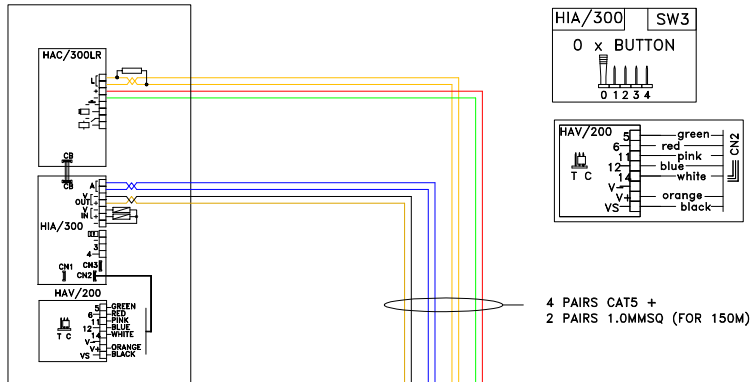
No. 1

1. IT IS VITAL THAT THE CLOSING RESISTANCES SHOWN ON THE DRAWING AS 56R & 120R ARE CONNECTED AS INDICATED.

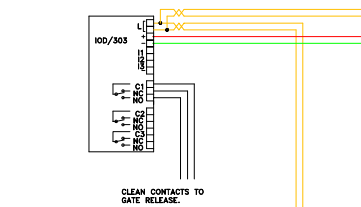
2. THE TWISTED PAIRS MUST NOT BE UNTWISTED TO SIMPLIFY INSERTION INTO TERMINALS. KEEP THEM TWISTED TOGETHER ALL THE WAY INTO THE TERMINALS



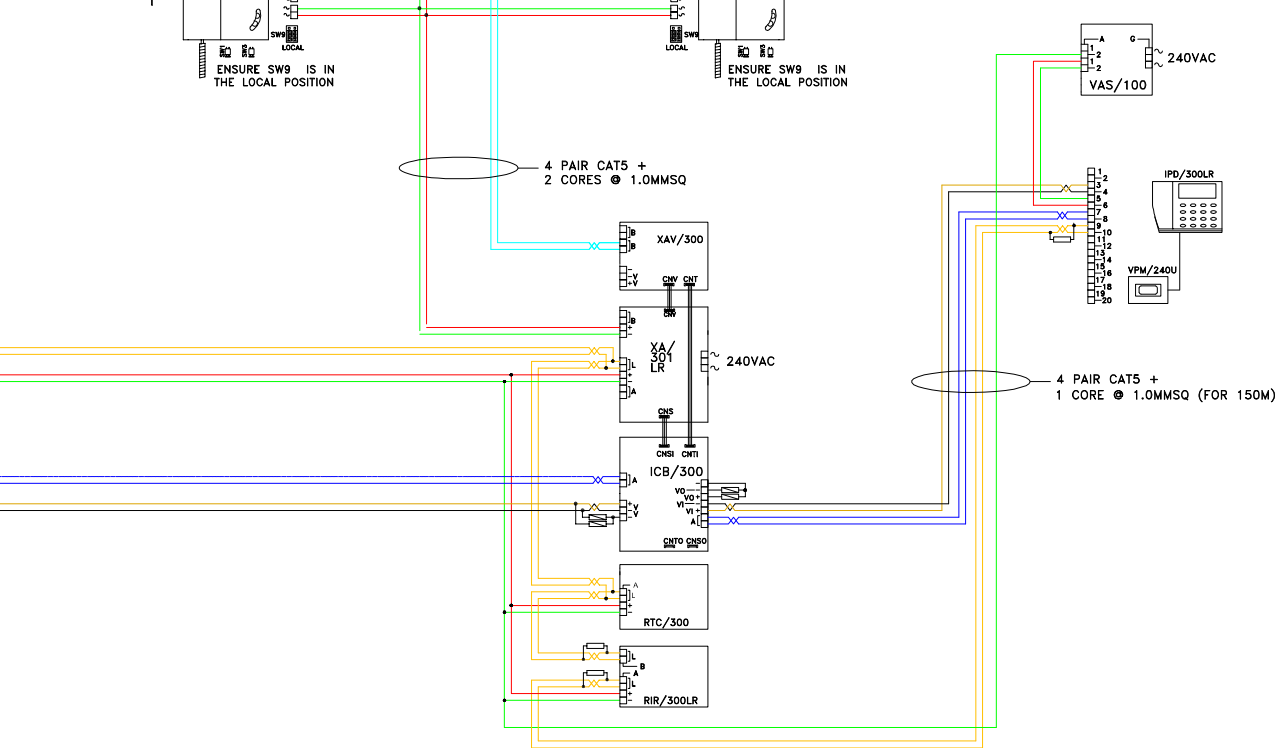
TARGHA - DIGITAL



4 PAIRS CAT5 + 2 PAIRS 1.0MMSQ (FOR 150M)



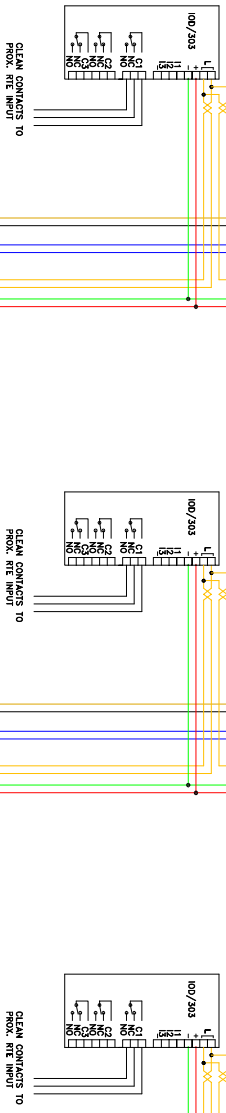
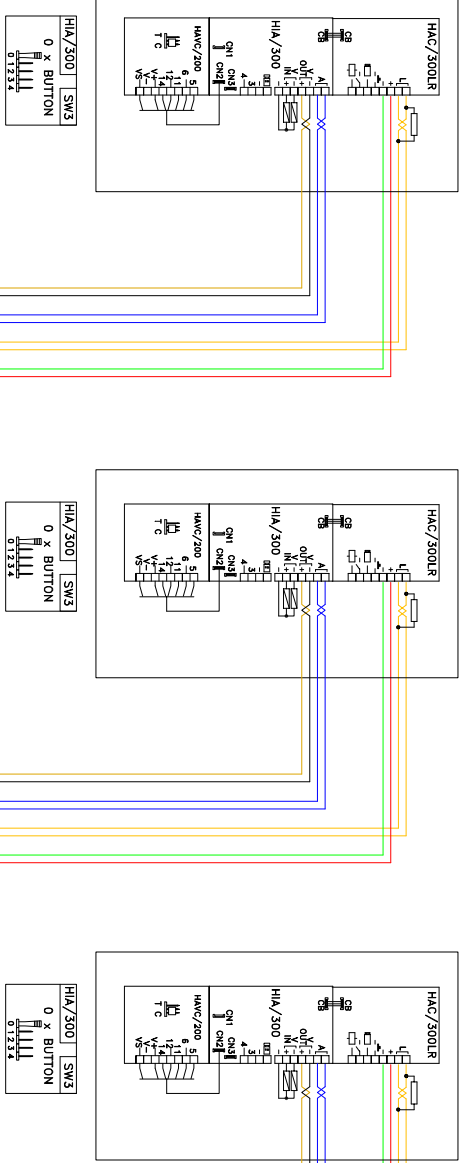
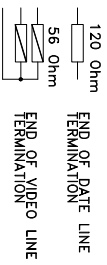
**IMPORTANT INSTALLER NOTE.**  
ENSURE THAT SUITABLE VENTILATION IS PROVIDED IF THE XA/301 IS MOUNTED IN AN ENCLOSURE.  
ENSURE THAT THE XA/301 IS ALWAYS MOUNTED CORRECTLY WITH THE TERMINALS ON THE BOTTOM EDGE AS PER THE MANUFACTURERS INSTRUCTIONS.  
MOUNT THE XAV/300 TO THE RIGHT SIDE OF THE XA/301 THEN ICB/300 BELOW THE XA/300  
THIS ALLOWS THE BLUE INTERCONNECT LEADS SUPPLIED TO REACH THE RESPECTIVE SOCKETS CNV/CNT/CNSI ETC



4 PAIR CAT5 + 1 CORE 1.0MMSQ (FOR 150M)

BPT (UK) LTD. HERTS. ENGLAND	PREPARED FOR INSTALLER INFORMATION	DATE: 14/06/10	DRAWN: RC
DRAWING TITLE:	1 X SYSTEM 300 DIGITAL VIDEO ENTRY PANEL WITH TRADES, PORTER CALL & 200 MIXED MONITORS IN A SINGLE RISER	REVISED:	DRAWING No: C-X1YNPQCPTT

- IT IS VITAL THAT THE CLOSING RESISTANCES SHOWN ON THE DRAWING AS 56R & 120R ARE CONNECTED AS INDICATED.
- THE TWISTED PAIRS MUST NOT BE UNTWISTED TO SIMPLY INSERTION INTO TERMINALS, KEEP THEM TWISTED TOGETHER ALL THE WAY INTO THE TERMINALS



4 PAIRS CATS + 2 CORES @ 1.0MMSQ (FOR 150M)

4 PAIRS CATS + 2 CORES @ 1.0MMSQ (FOR 150M)

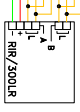
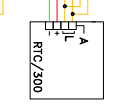
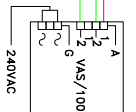
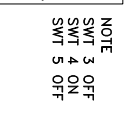
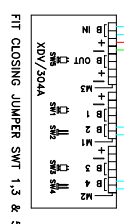
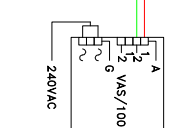
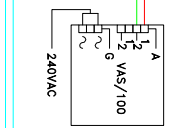
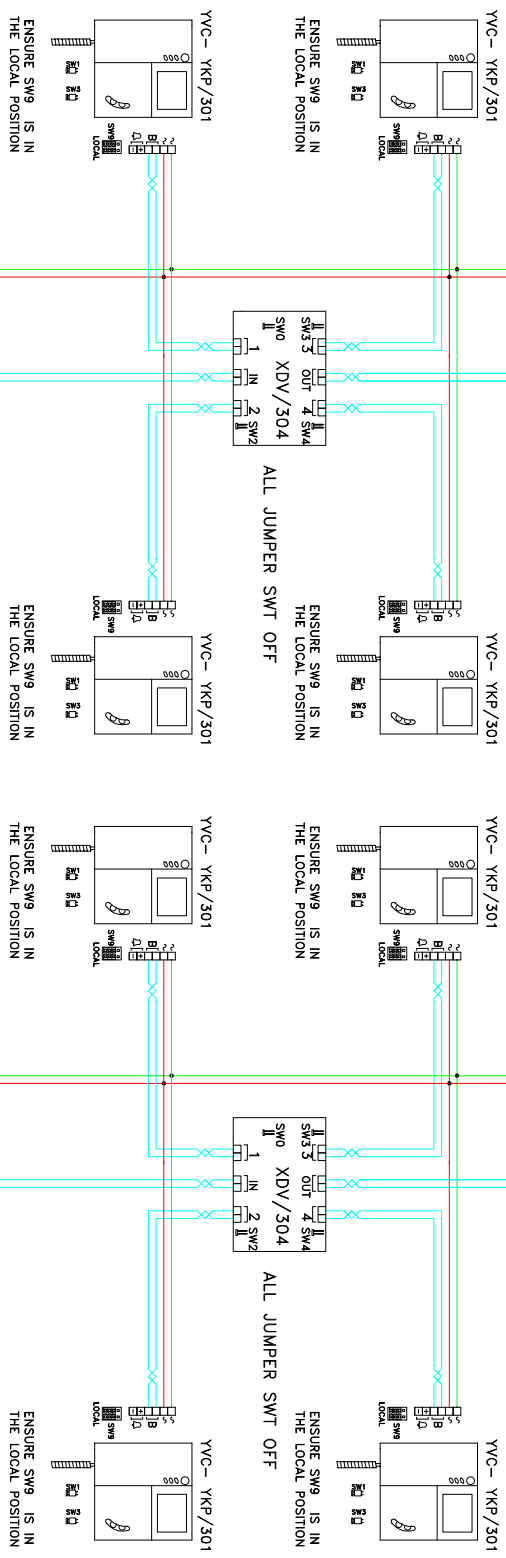
4 PAIRS CATS + 2 CORES @ 1.0MMSQ (FOR 150M)

### RISER 1

CLOSE SW 0. ON THE LAST XDV/304 IF UNUSED TO NEXT XDV/304

### RISER 2

CLOSE SW 0. ON THE LAST XDV/304 IF UNUSED TO NEXT XDV/304



NOTE  
SWT 11  
SWT 12  
SWT 13  
SWT 14  
SWT 15  
SWT 16  
SWT 17  
SWT 18  
SWT 19  
SWT 20  
SWT 21  
SWT 22  
SWT 23  
SWT 24  
SWT 25  
SWT 26  
SWT 27  
SWT 28  
SWT 29  
SWT 30  
SWT 31  
SWT 32  
SWT 33  
SWT 34  
SWT 35  
SWT 36  
SWT 37  
SWT 38  
SWT 39  
SWT 40  
SWT 41  
SWT 42  
SWT 43  
SWT 44  
SWT 45  
SWT 46  
SWT 47  
SWT 48  
SWT 49  
SWT 50  
SWT 51  
SWT 52  
SWT 53  
SWT 54  
SWT 55  
SWT 56  
SWT 57  
SWT 58  
SWT 59  
SWT 60  
SWT 61  
SWT 62  
SWT 63  
SWT 64  
SWT 65  
SWT 66  
SWT 67  
SWT 68  
SWT 69  
SWT 70  
SWT 71  
SWT 72  
SWT 73  
SWT 74  
SWT 75  
SWT 76  
SWT 77  
SWT 78  
SWT 79  
SWT 80  
SWT 81  
SWT 82  
SWT 83  
SWT 84  
SWT 85  
SWT 86  
SWT 87  
SWT 88  
SWT 89  
SWT 90  
SWT 91  
SWT 92  
SWT 93  
SWT 94  
SWT 95  
SWT 96  
SWT 97  
SWT 98  
SWT 99  
SWT 100

IMPORTANT INSTALLER NOTE:  
ENSURE THAT THE XA/301 IS ALWAYS MOUNTED CORRECTLY WITH THE TERMINALS ON THE BOTTOM EDGE AS PER THE MANUFACTURERS INSTRUCTIONS.  
MOUNT THE XAV/300 TO THE RIGHT SIDE OF THE XA/301

BPT (UK) LTD. HERTS. ENGLAND	PREPARED FOR INSTALLER INFORMATION	DATE: 16/07/09	DRAWN: RC
DRAWING TITLE: 3 X SYSTEM 300 DIGITAL VIDEO ENTRY PANELS WITH TRADES. & LVNEA MONITORS IN TWO RISERS.		REVISED:	DRAWING No: C-XV3NCTT(A)